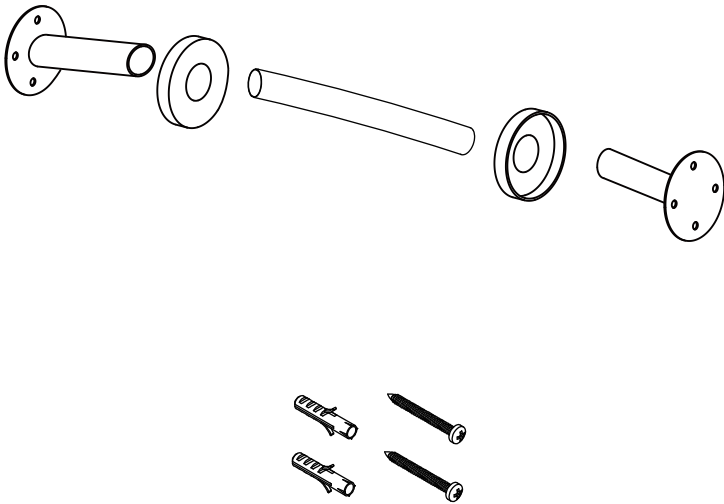
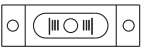
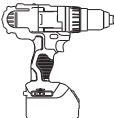

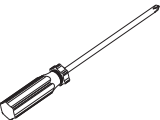



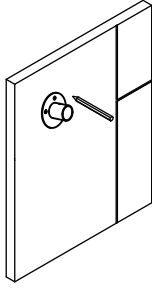
SHOWER RODS CURVED & ROUND

5' KSRC-5PC

6' KSRC-6PC

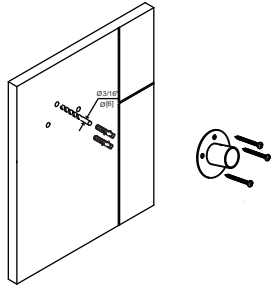


Tools required for installation		
		
Level	Drill	Pencil
		
Screwdriver	Hammer	



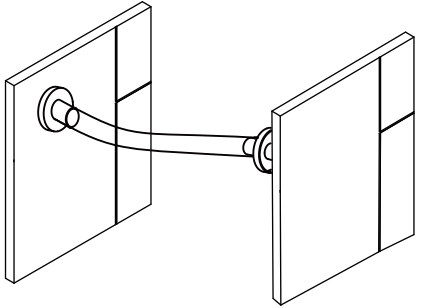
Step 1

Position one side back plate against the wall and mark outline with pencil.



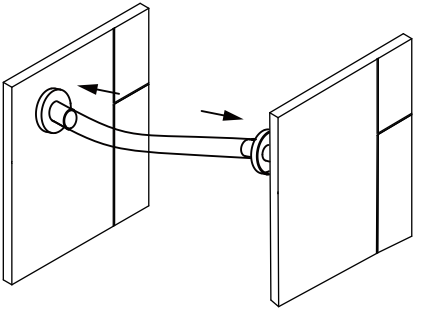
Step 2

Pre-drill 3/16" holes on the wall to fit wall plugs, fix the plate onto the wall, make sure the post hole on the top.



Step 3

Install the other plate onto the wall, and slid two backings into the plate, make sure the 2 holes on the top.



Step 4

Press the 2 backings onto the plates, make sure the backing would not fall off from the plate.