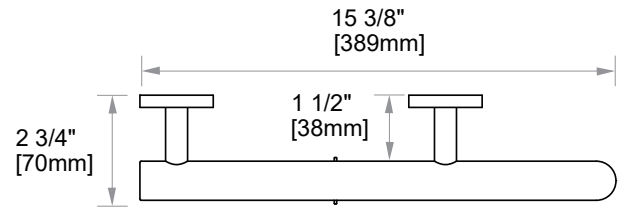




GRAB BARS SERIES

GRAB BAR WITH PAPER HOLDER LEFT

8289110L



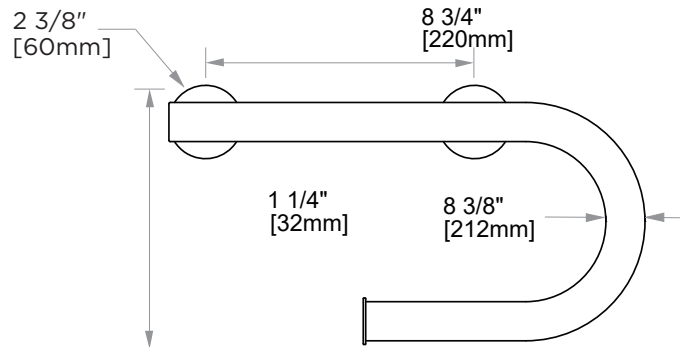
PRODUCT NAME: GRAB BAR W/PAPER HOLDER-LEFT

PRODUCT CODE: 8289110L

MATERIAL: All-brass construction

STOCKED FINISHES:

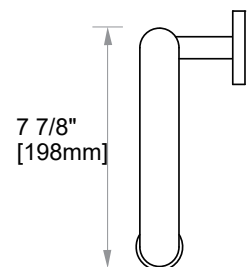
- Polished Chrome (99)
- Brushed Nickel (81)
- Polished Nickel (68)



SPECIAL FINISHES AVAILABLE: Please see our website for full list samples

WARRANTY:

Lifetime Limited (Residential Use)
 One Year (Commercial Use)



NOTE: Dimensions and specifications are subject to change without notice.