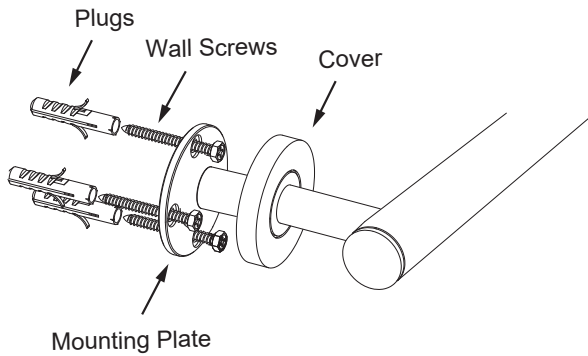


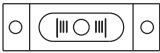


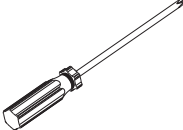
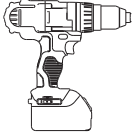

GRAB BARS SERIES

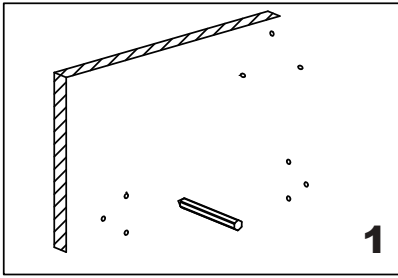
ANGLE GRAB BAR

8289101L

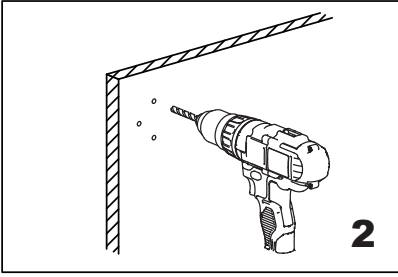


Tools required for installation

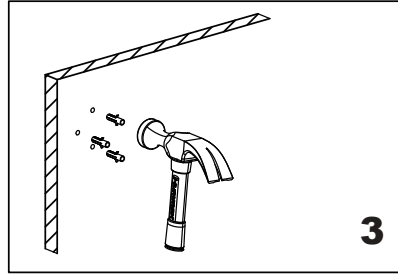
		
Level	Pencil	Wrench
		
Screwdriver	Drill	Hammer



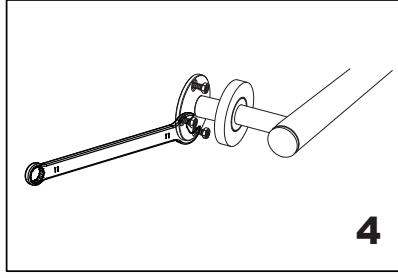
1 Mark (on the wall) locations of plugs through mounting plate using a pencil, refer to Fig.1



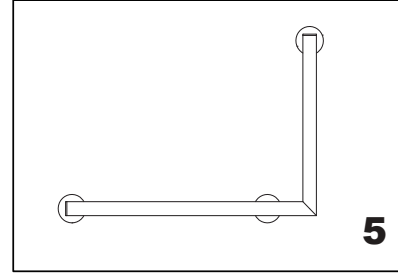
2 Drill 3/16" holes, make sure to keep drill level



3 Insert plugs into drilled holes, using a hammer to tap the plugs in, be careful not to break tile



4 Driver bolt nut directly into holes



5 Tighten the cover on the Mounting plate