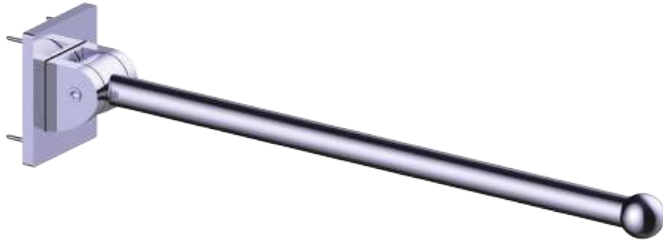




ADA/DDA Compliant



GRAB BARS

FRICITION HINGED GRAB RAIL- RECTANGLE COVERED

8289003

PRODUCT NAME: FRICTION HINGED GRAB RAIL-
RECTANGLE COVERED

PRODUCT CODE: 8289003

MATERIAL: All-brass construction

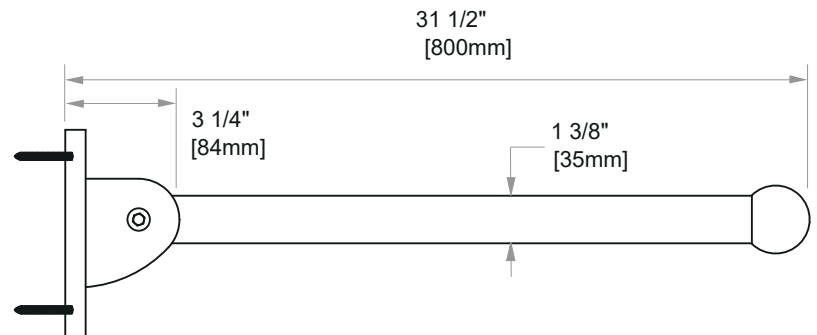
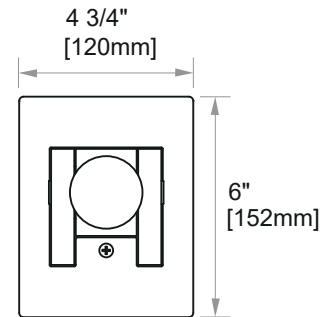
KEY FEATURES: Review and update.

STOCKED FINISHES: ● Polished Chrome (99)

SPECIAL FINISHES AVAILABLE: Please see our website for full list of samples

WARRANTY:

Lifetime Limited (Residential Use)
One Year (Commercial Use)



NOTE: Dimensions and specifications are subject to change without notice.