



**YORK SERIES**  
**Wall Mount Full Back Plate Standard Hinge**  
51034

**PRODUCT NAME:** YORK - Wall Mount Full Back Plate Standard Hinge-

**PRODUCT CODE:** 51034

**MATERIAL:** All-brass construction

**KEY FEATURES:** Standard Shower Hinge.  
Glass to wall.  
Full back.

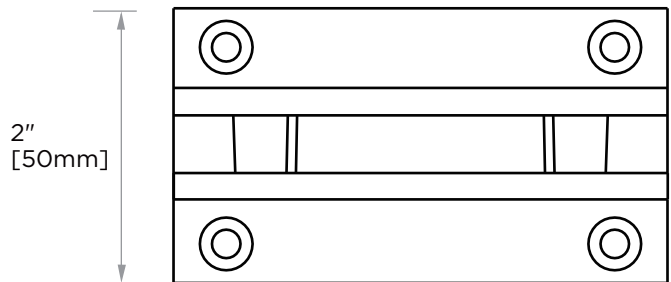
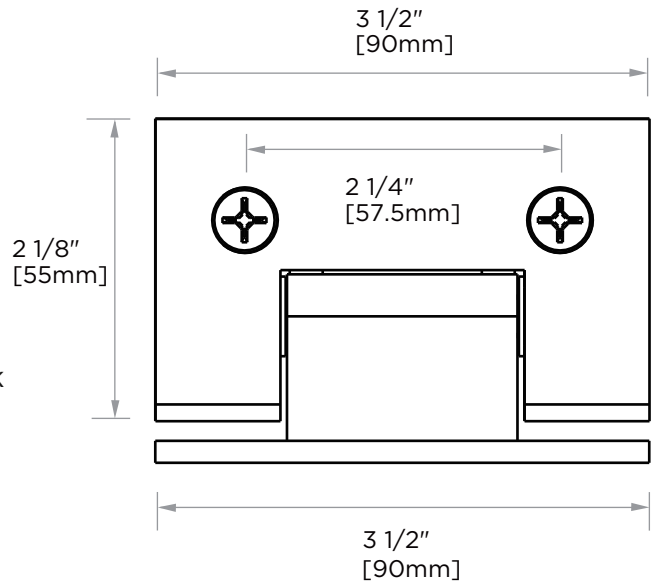
**FINISHES:**

- Polished Chrome (99)
- Brushed Nickel (81)
- Matte Black (48)
- Brushed Brass (78)
- Cava (37)

**SPECIAL FINISHES AVAILABLE:** Please see our website for full list samples

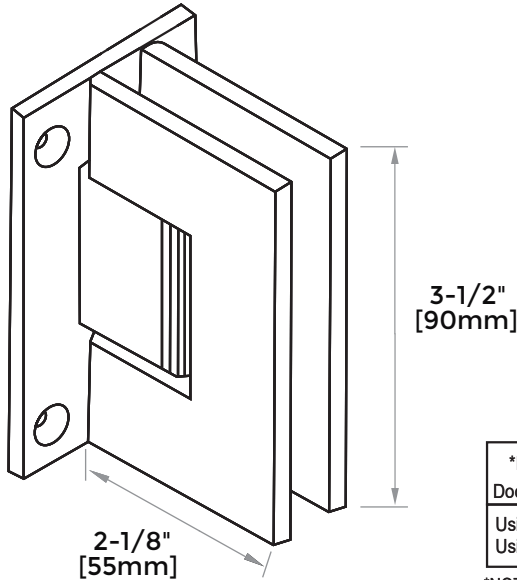
**WARRANTY:**

Lifetime Limited (Residential Use)  
Three Years (Commercial Use)



NOTE: Dimensions and specifications are subject to change without notice.

### WALL MOUNT BACK PLATE HINGE

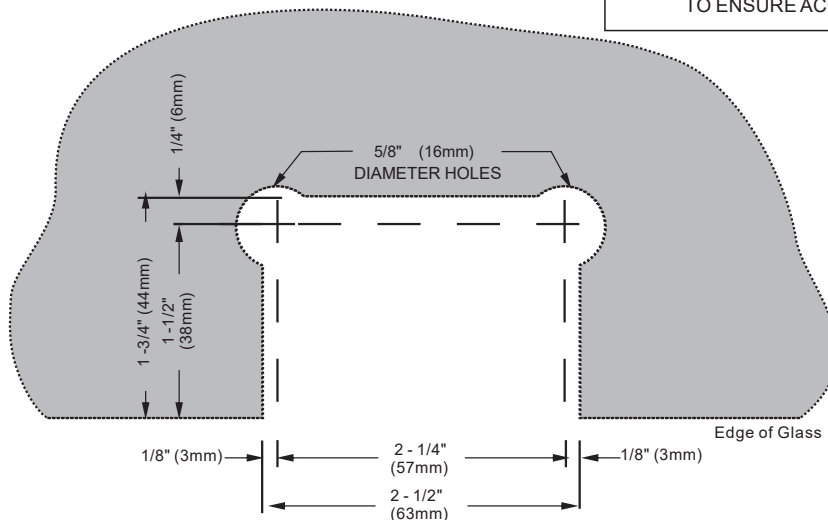
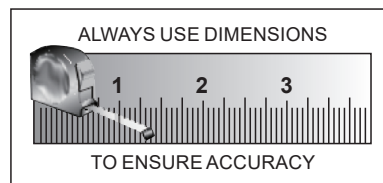


| SPECIFICATIONS  |  |
|---|--|
| For 8mm (5/16") to 12mm (1/2") glass  |  |
| -use 2 hinges, having a maximum weight of 80 lbs (36kg), and a width of 28"(711mm).                             |  |
| -use 3 hinges, having a maximum weight of 120 lbs (54kg), and a width of 32" (813mm).                           |  |
| CAUTION   |  |
| For public safety, we recommend only using tempered or safety glass.<br>(But verify with local building codes.) |  |
| DO NOT USE POWER TOOLS FOR MOUNTING THESE HINGES  |  |
| CLEANING  |  |
| See reverse side for instructions   |  |

| *Maximum Door Capacities | 5/16"(8mm)and3/8"(10mm) Glass weight width | 1/2" (12mm) Glass weight width |
|--------------------------|--|--------------------------------|
| Using 2 Hinges           | 80lbs.(36kg) 28"(711mm)                    | 80lbs.(36kg) 28"(711mm)        |
| Using 3 Hinges           | 120lbs.(54kg) 32"(813mm)                   | 120lbs.(54kg) 32"(813mm)       |

\*NOTE: Do not exceed either maximum weight or width when choosing proper quantity of hinges

### WALL MOUNT BACK PLATE HINGE



NOTE: Dimensions and specifications are subject to change without notice.