



YORK SERIES
Wall Mount Short Back Plate Hinge
51032

PRODUCT NAME: YORK - Wall Mount Short Back Plate Hinge

PRODUCT CODE: 51032

MATERIAL: All-brass construction

KEY FEATURES: Standard Shower Hinge.
Glass to wall.
Short back.

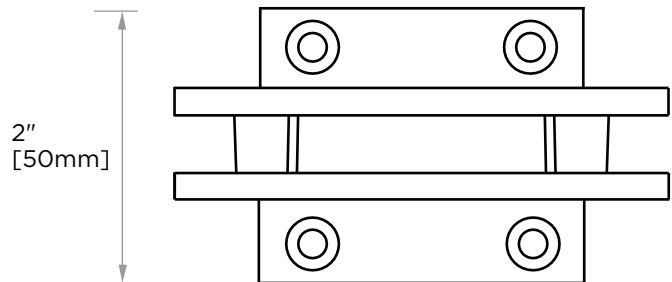
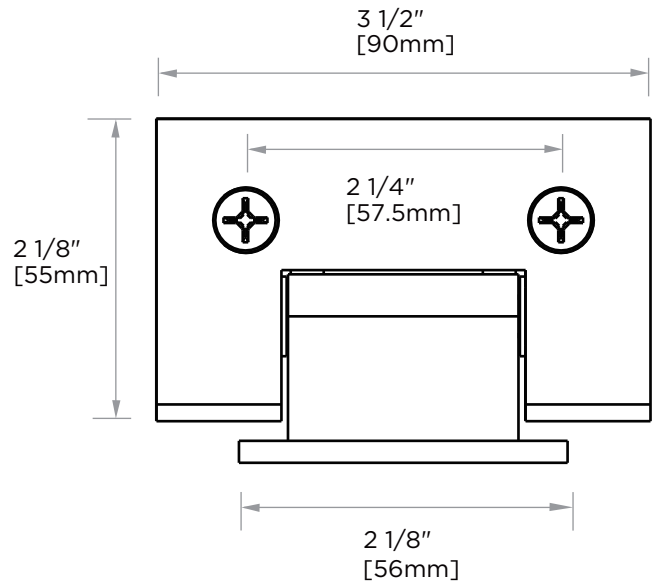
FINISHES:

- Polished Chrome (99)
- Brushed Nickel (81)
- Matte Black (48)
- Brushed Brass (78)
- Cava (37)

SPECIAL FINISHES AVAILABLE: Please see our website for full list samples

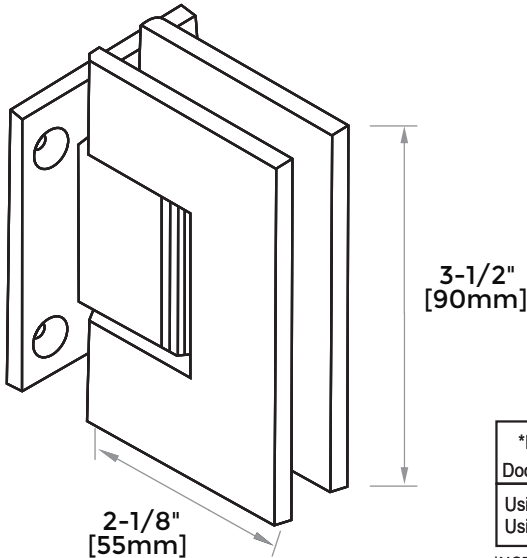
WARRANTY:

Lifetime Limited (Residential Use)
One Year (Commercial Use)



NOTE: Dimensions and specifications are subject to change without notice.

WALL MOUNT BACK PLATE HINGE

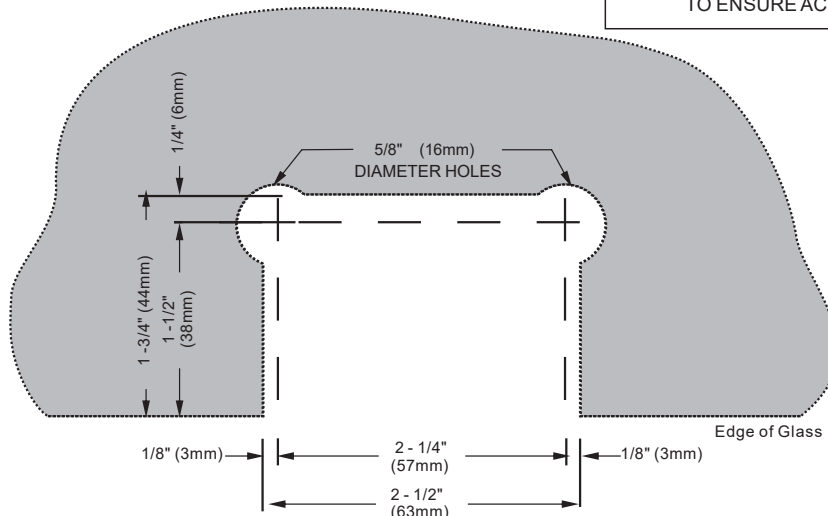
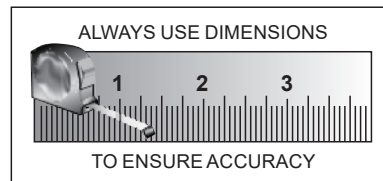


SPECIFICATIONS	
For 8mm (5/16") to 12mm (1/2") glass	
-use 2 hinges, having a maximum weight of 80 lbs (36kg), and a width of 28"(711mm).	
-use 3 hinges, having a maximum weight of 120 lbs (54kg), and a width of 32"(813mm).	
CAUTION	
For public safety, we recommend only using tempered or safety glass. (But verify with local building codes.)	
DO NOT USE POWER TOOLS FOR MOUNTING THESE HINGES	
CLEANING	
See reverse side for instructions	

*Maximum Door Capacities	5/16"(8mm) and 3/8"(10mm) Glass weight width	1/2" (12mm) Glass weight width
Using 2 Hinges	80lbs.(36kg) 28"(711mm)	80lbs.(36kg) 28"(711mm)
Using 3 Hinges	120lbs.(54kg) 32"(813mm)	120lbs.(54kg) 32"(813mm)

*NOTE: Do not exceed either maximum weight or width when choosing proper quantity of hinges

WALL MOUNT BACK PLATE HINGE



NOTE: Dimensions and specifications are subject to change without notice.