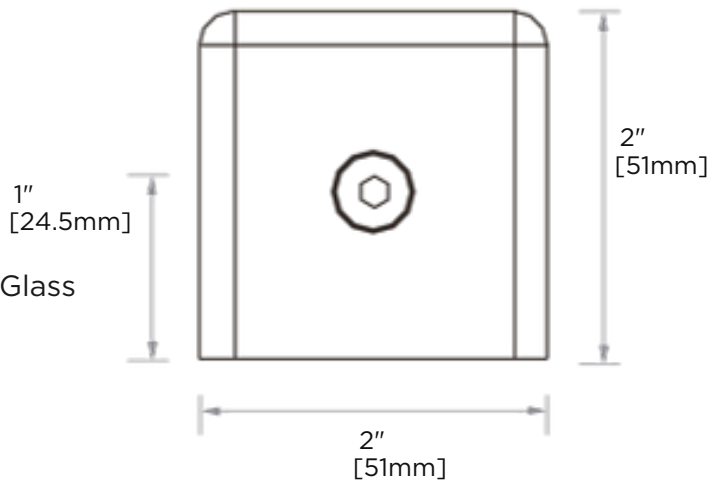




BRADFORD SERIES
Beveled Hole-in-Glass
Style Wall Mount Heavy
-Duty Glass Clamp
50052



PRODUCT NAME: BRADFORD - Beveled Hole-in-Glass Style Wall Mount Heavy-Duty Glass Clamp

PRODUCT CODE: 50052

MATERIAL: All-brass construction

KEY FEATURES: Glass Clamp.
Glass to Wall.
Beveled.

FINISHES:

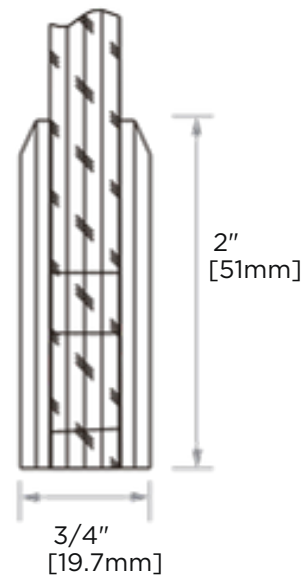
- Polished Chrome (99)
- Brushed Nickel (81)
- Matte Black (48)
- Brushed Brass (78)
- Cava (37)

Please see our website for full list samples

SPECIAL FINISHES AVAILABLE:

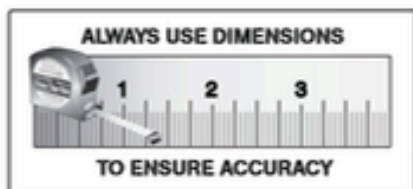
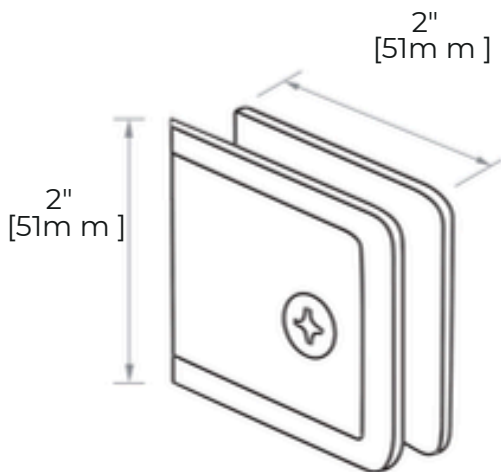
WARRANTY:

Lifetime Limited (Residential Use)
Three Years (Commercial Use)



NOTE: Dimensions and specifications are subject to change without notice.

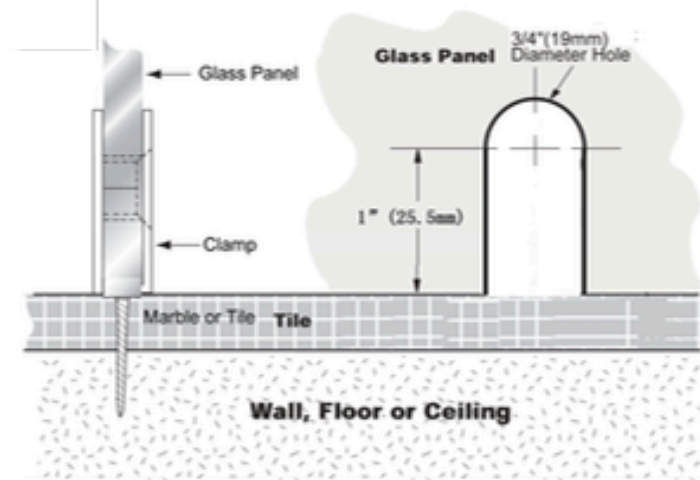
HEAVY DUTY GLASS CLAMPS



Specifications:

Material: Solid brass
Glass Thickness Range: 3/8"(10mm) to 1/2"(12mm)
Hole Size Required: 3/4"(19mm)
Includes: Mounting screws and gaskets

TYPICAL INSTALLATION



NOTE: Dimensions and specifications are subject to change without notice.