



**BRADFORD SERIES**  
**Square Style Hole-in-Glass**  
**Fixed Glass Panel U-Clamp**  
50051

**PRODUCT NAME:** BRADFORD - Square Style Hole-in-Glass Fixed Glass Panel U-Clamp 50051

**PRODUCT CODE:**

**MATERIAL:** All-brass construction

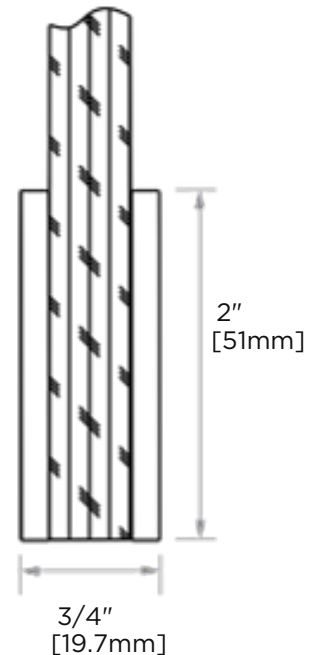
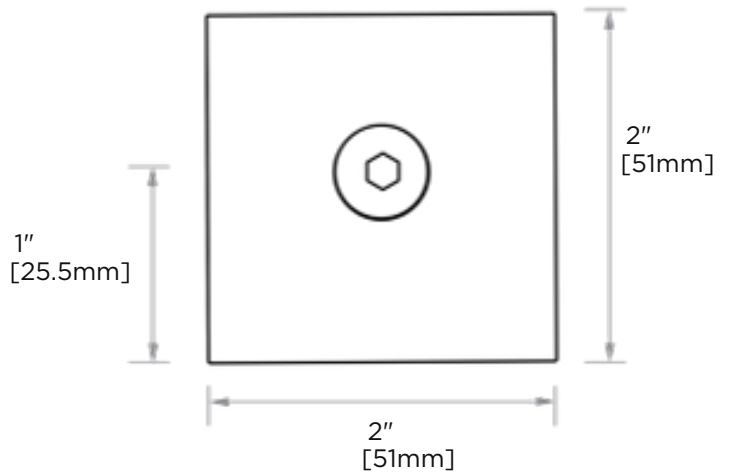
**KEY FEATURES:** Glass Clamp.  
Glass to Wall.  
Square Edge.

**FINISHES:**

- Polished Chrome (99)
- Brushed Nickel (81)
- Matte Black (48)
- Brushed Brass (78)
- Cava (37)

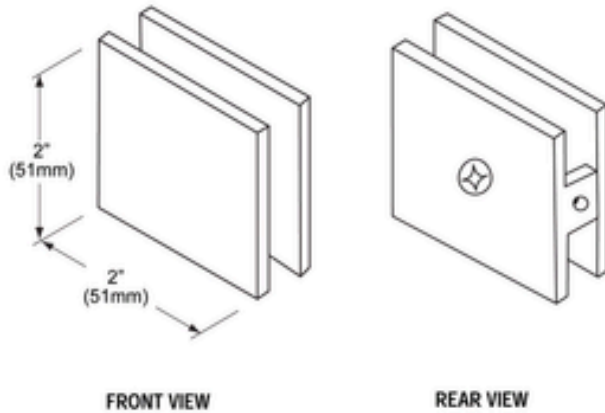
**SPECIAL FINISHES AVAILABLE:** Please see our website for full list samples

**WARRANTY:**  
Lifetime Limited (Residential Use)  
Three Years (Commercial Use)



NOTE: Dimensions and specifications are subject to change without notice.

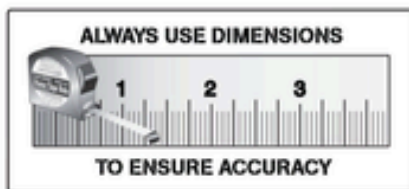
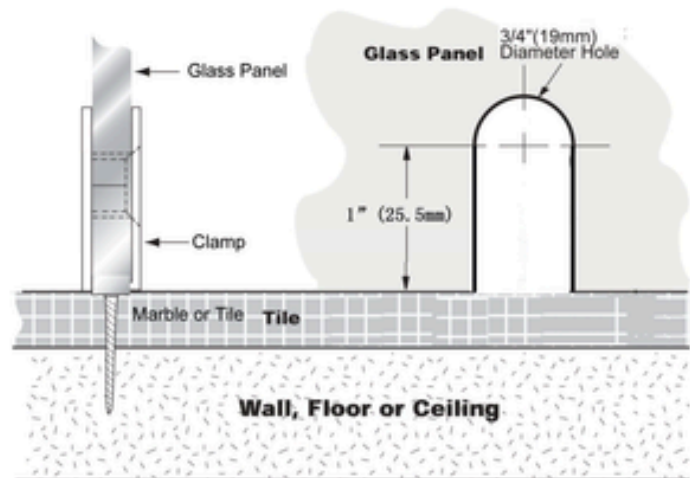
### HEAVY DUTY GLASS CLAMPS



### Specifications:

**Material:** Solid brass  
**Glass Thickness Range:** 3/8" (10mm) to 1/2" (12mm)  
**Hole Size Required:** 3/4" (19mm)  
**Includes:** Mounting screws and gaskets

### TYPICAL INSTALLATION



NOTE: Dimensions and specifications are subject to change without notice.