

**BUILDERS SERIES**

**373**

**PIVOT TISSUE  
HOLDER**  
373158



**PRODUCT NAME:** PIVOT TISSUE HOLDER

**PRODUCT CODE:** 373158

**MATERIAL:** All-brass construction

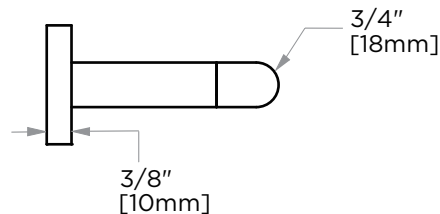
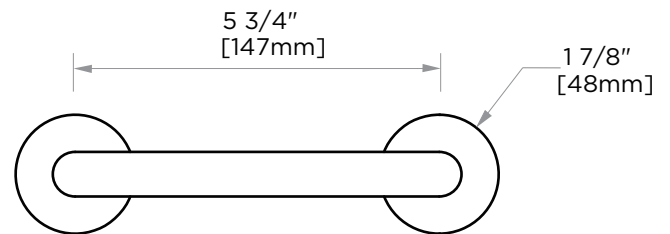
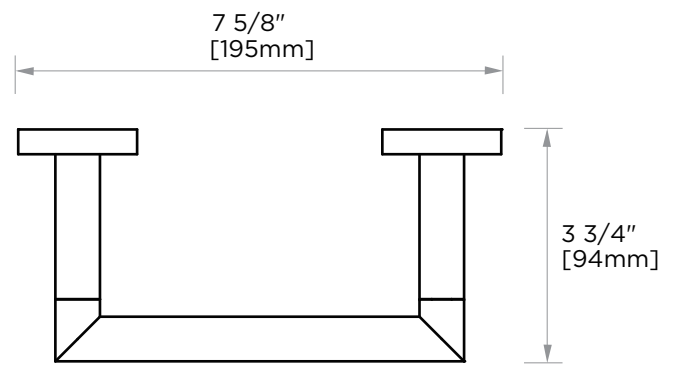
**KEY FEATURES:** Classic, contemporary design.  
Concealed mounting.  
Brass product at a builders budget.

**STOCKED FINISHES:**

- Polished Chrome (99)
- Brushed Nickel (81)
- Matte Black (48)

**WARRANTY:**

Lifetime Limited (Residential Use)  
One Year (Commercial Use)



NOTE: Dimensions and specifications are subject to change without notice.