

353 COLLECTION

Towel Shelf

Model 353440



FEATURES

- Modern styling
- Durable finishes
- Consealed installation

WARRANTY

- Lifetime limited (Residential use)
- One Year (Commercial use)

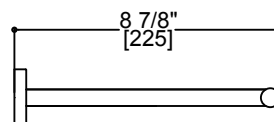
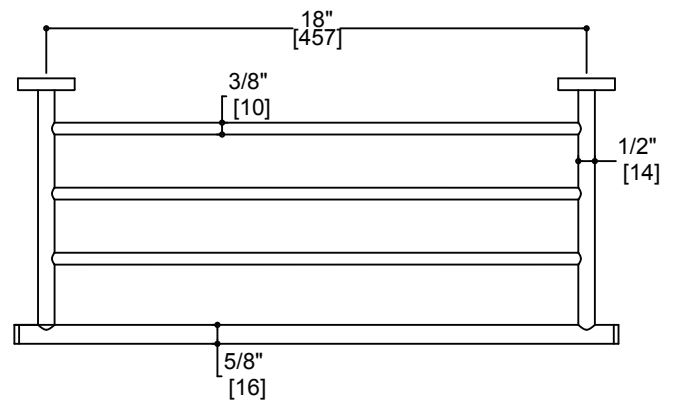
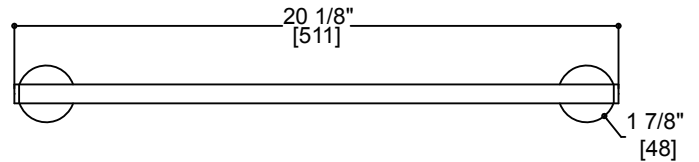
FINISHES

- Polished Chrome (99)
- Brushed Nickel (81)

MOUNTING HARDWARE

Mounting kit included

PRODUCT SPECIFICATION SHEET



Note: Dimensions and specifications are subject to change without notice.