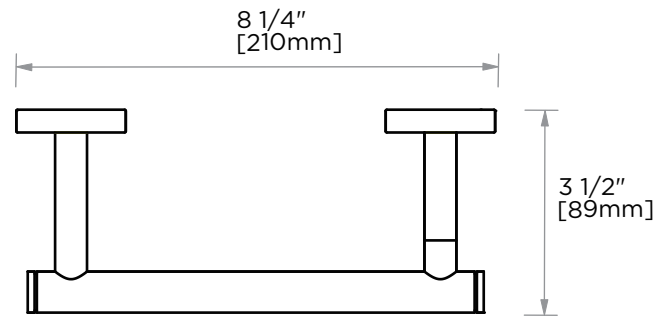


**BUILDERS SERIES**

**353**

**PIVOT TISSUE HOLDER**  
353158P



**PRODUCT NAME:** PIVOT TISSUE HOLDER

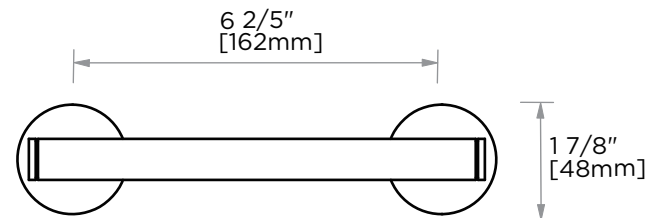
**PRODUCT CODE:** 353158P

**MATERIAL:** All-brass construction

**KEY FEATURES:** Round, Contemporary design.  
Brass product at a builders budget.

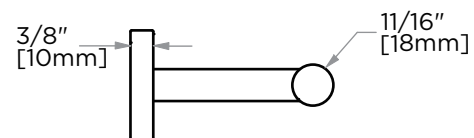
**STOCKED FINISHES:**

- Polished Chrome (99)
- Brushed Nickel (81)
- Matte Black (48)



**WARRANTY:**

Lifetime Limited (Residential Use)  
One Year (Commercial Use)



NOTE: Dimensions and specifications are subject to change without notice.