

COLOGNE COLLECTION CURVED TOWEL RING 255463



PRODUCT NAME: CURVED TOWEL RING

PRODUCT CODE: 255463

MATERIAL: All-brass construction

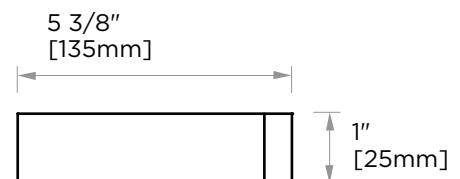
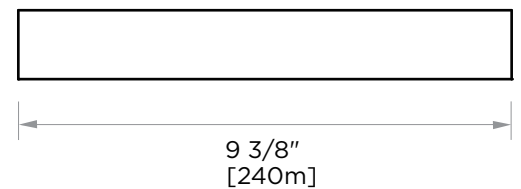
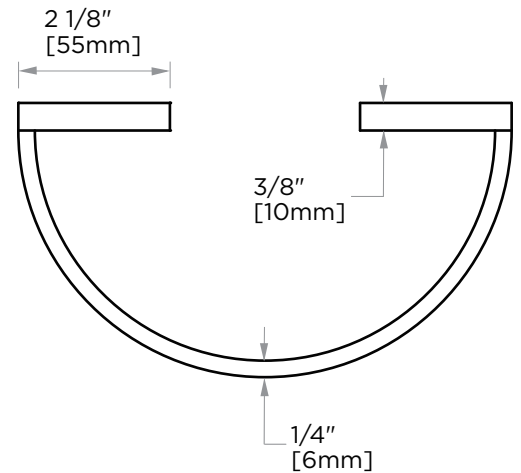
KEY FEATURES: Contemporary design with strong bold silhouette softened by the rounded corners and curved lines.

STOCKED FINISHES:

- Polished Chrome (99)
- Brushed Nickel (81)
- Matte Black (48)

SPECIAL FINISHES AVAILABLE: Please see our website for the full list

WARRANTY:
Lifetime Limited (Residential Use)
One Year (Commercial Use)



NOTE: Dimensions and specifications are subject to change without notice.