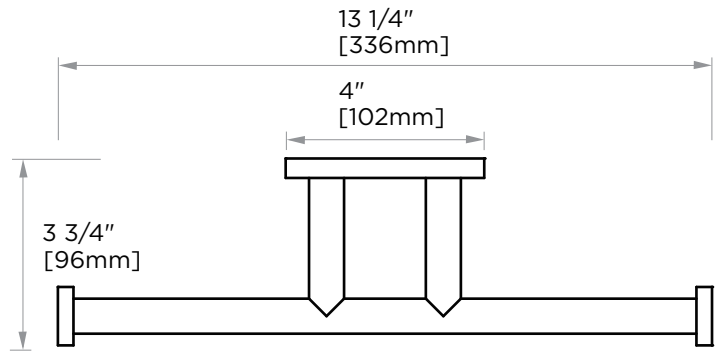
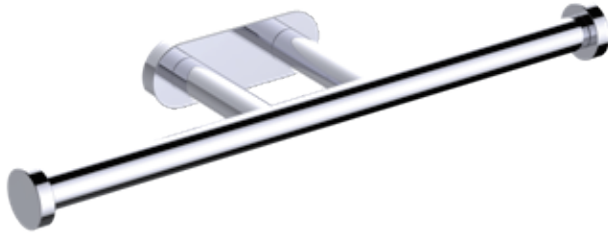


**OSLO COLLECTION**  
**DOUBLE TISSUE**  
**HOLDER**  
144155



**PRODUCT NAME:** DOUBLE TISSUE HOLDER

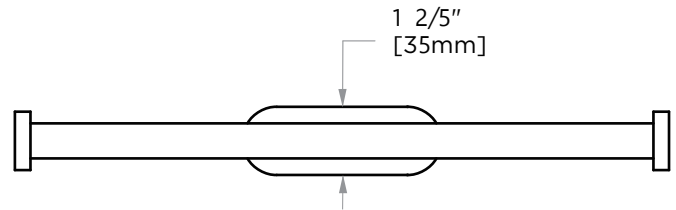
**PRODUCT CODE:** 144155

**MATERIAL:** All-brass construction

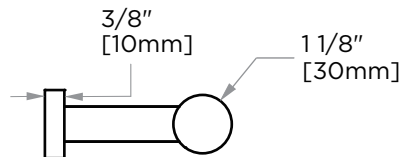
**KEY FEATURES:** Contemporary design.  
Round minimalist look.

**STOCKED FINISHES:**

- Polished Chrome (99)
- Brushed Nickel (81)
- Polished Nickel (68)
- Matte Black (48)



**SPECIAL FINISHES AVAILABLE:** Please see our website for the full list.



**WARRANTY:**

Lifetime Limited (Residential Use)  
One Year (Commercial Use)

NOTE: Dimensions and specifications are subject to change without notice.