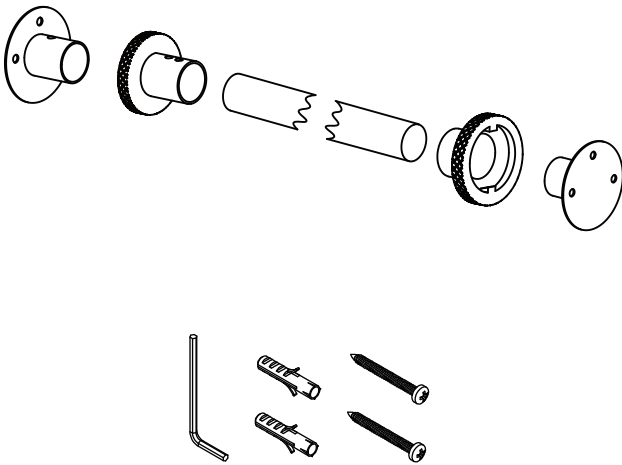
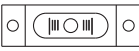
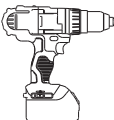

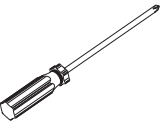



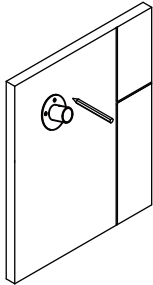
## CIRCO KNURLED COLLECTION SHOWER ROD

5'/60" KSR-5BR-366

6'/72" KSR-6BR-366

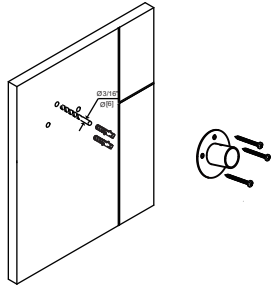


Tools required for installation		
		
Level	Drill	Pencil
		
Screwdriver	Hammer	



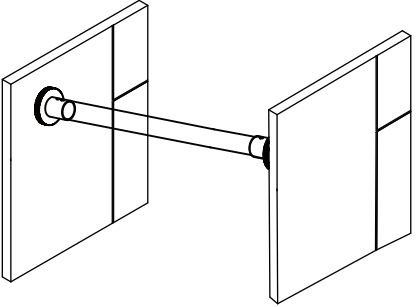
**Step 1**

Position one side back plate against the wall and mark outline with pencil.



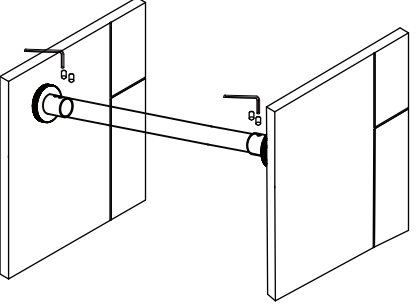
**Step 2**

Pre-drill 3/16" holes on the wall to fit wall plugs, fix the plate onto the wall, make sure the post hole on the top.



**Step 3**

Install the other plate onto the wall, and slid two backings into the plate, make sure the 2 holes on the top.



**Step 4**

Tighten the 2 set screws each side using Allen key provided, 1 screw is to fix the tube, another screw is to fix the plate.