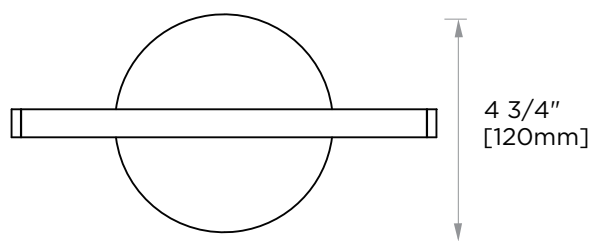


## OSLO COLLECTION HAND TOWEL HOLDER KFS-HTH-RD



**PRODUCT NAME:** HAND TOWEL HOLDER

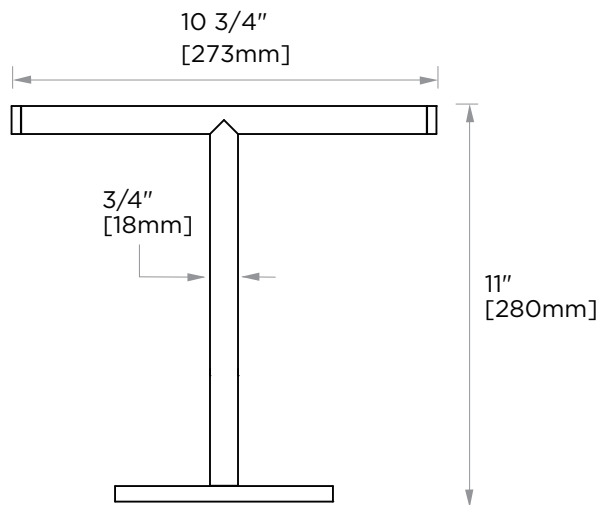
**PRODUCT CODE:** KFS-HTH-RD

**MATERIAL:** All-brass construction

**KEY FEATURES:** Contemporary design.  
Round minimalist look.

**STOCKED FINISHES:** ● Polished Chrome (99)

**SPECIAL FINISHES AVAILABLE:** 26 options available.  
Please see our website for full list samples



**WARRANTY:**

Lifetime Limited (Residential Use)  
One Year (Commercial Use)

NOTE: Dimensions and specifications are subject to change without notice.