



## FREE STANDING HAND TOWEL HOLDER

KFS-HTH-322

**PRODUCT NAME:** HAND TOWEL HOLDER

**PRODUCT CODE:** KFS-HTH-322

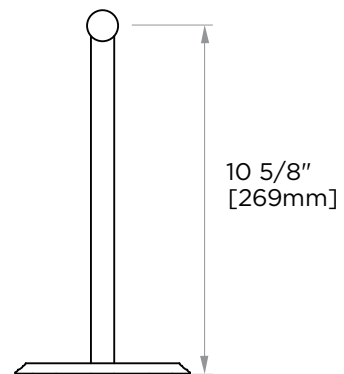
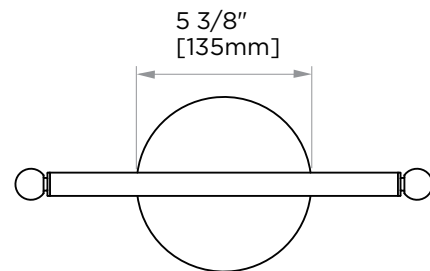
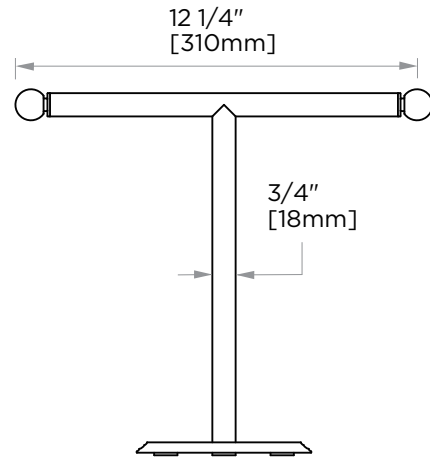
**MATERIAL:** All-brass construction

**KEY FEATURES:** Contemporary design.  
Round minimalist look.

**STOCKED FINISHES:** ● Polished Chrome (99)

**SPECIAL FINISHES AVAILABLE:** Please see our website for full list samples

**WARRANTY:**  
Lifetime Limited (Residential Use)  
One Year (Commercial Use)



NOTE: Dimensions and specifications are subject to change without notice.