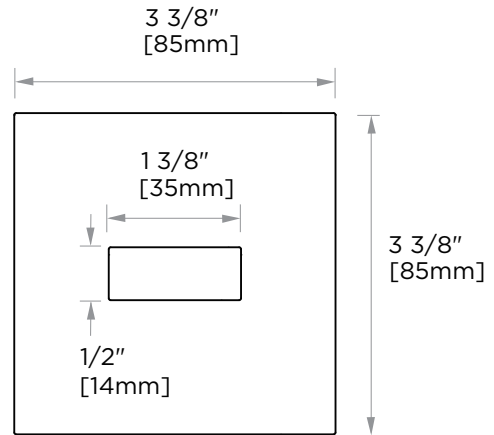
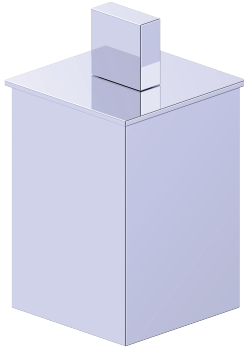


BERLIN COLLECTION COTTON BALL-LARGE KCT-SQ-L



PRODUCT NAME: COTTON BALL

PRODUCT CODE: KCT-SQ-L

MATERIAL: All-brass construction

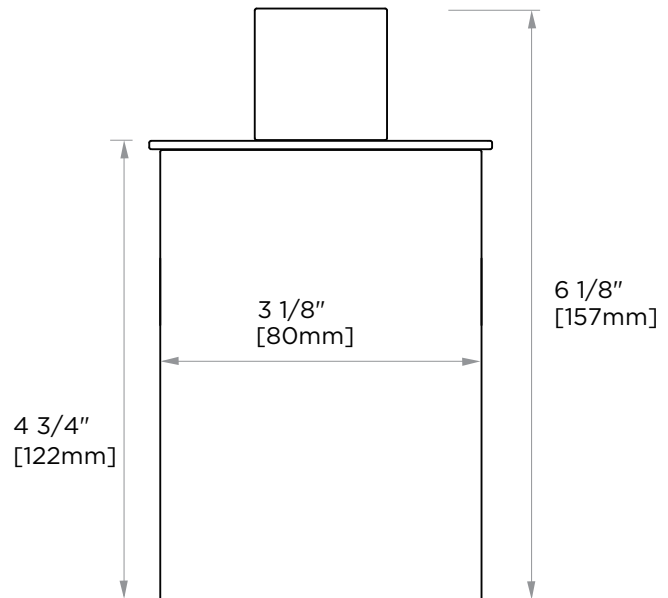
KEY FEATURES: Contemporary design with solid bold rectangular geometry.

STOCKED FINISHES:

- Polished Chrome (99)
- Polished Nickel (68)
- Matte Black (48)
- Brushed Brass (78)

SPECIAL FINISHES AVAILABLE: 26 options available. Please see our website for full list samples

WARRANTY:
Lifetime Limited (Residential Use)
One Year (Commercial Use)



NOTE: Dimensions and specifications are subject to change without notice.