

RHINE STAINLESS STEEL COLLECTION

- Slimline SS:** KTSL - 0600300-SS
KTSL - 1200300-SS
- Straight SS:** KTRS - 0800500-SS
KTRS - 1200500-SS
- Horizontal SS:** KTRH - 0600750-SS
KTRH - 06001000-SS



Rhine Slimline SS



Rhine Straight SS

FINISHES AND SIZES

Rhine Slimline, Rhine Straight and Rhine Horizontal are each available in 2 sizes

In Stock: Stainless Steel



Stainless Steel

GUARANTEE

Warmer 10 Years, Element 5 Years

INCLUDED WITH EACH TOWEL WARMER

- 3' Grounded Power Cord
- Hard Wire Install Kit
- LEVITON 24ht Programmable Timer with 3 optional Cover Plates (white, ivory, and light almond)

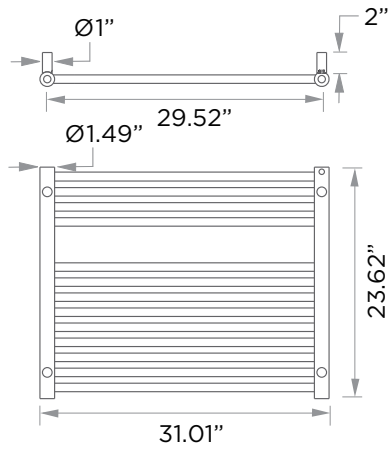


SEE OVER FOR SPECIFICATION DRAWINGS

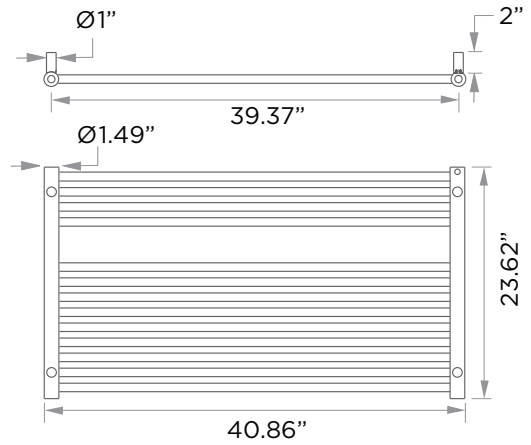
Product Code	Finishes	Sizes (mm)		Sizes (Inches)		Output (Watts/BTU)	Element Size	Number of Elements
		Height	Width	Height	Width			
KTSL-0600300-SS	Stainless Steel	600	300	23.62	11.90	258 / 882	100W	13
KTSL-1200300-SS	Stainless Steel	1200	300	47.25	11.90	491 / 1679	150W	24
KTRS-0800500-SS	Stainless Steel	800	500	31.5	19.69	488 / 1669	150W	16
KTRS-1200500-SS	Stainless Steel	1200	500	47.25	19.69	731 / 2500	300W	24
KTRH-06000750-SS	Stainless Steel	600	750	23.62	29.53	590 / 2018	150W	13
KTRH-06001000-SS	Stainless Steel	600	1000	23.62	39.38	860 / 2940	300W	13

Our Towel Warmers are Oiled Filled.

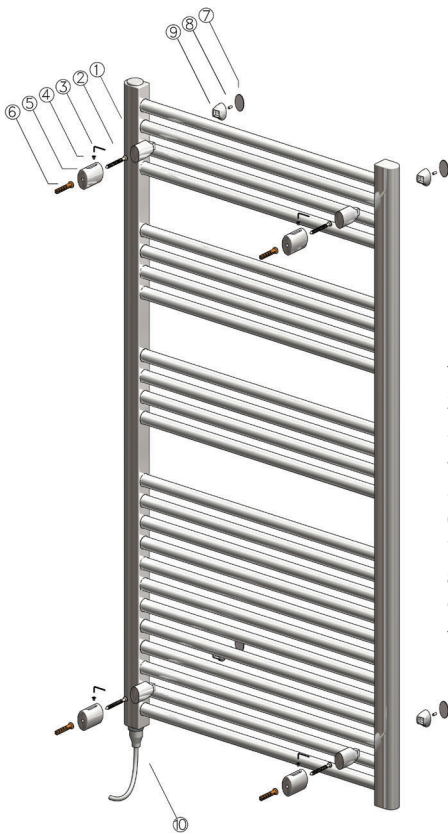
Note: Dimensions and specifications are subject to change without notice.



pipe centres = 29.52"



pipe centres = 39.37"



- 1) Bracket Stem
- 2) Wall Screw
- 3) Allen Key (Not Supplied)
- 4) Grub Screw
- 5) Wall Support
- 6) Wall Plug
- 7) Decorative Cover Cap
- 8) Bracket Screws
- 9) Bracket Securing Bush
- 10) Electrical Element



HARDWARE KIT SPECIFICATIONS

