



DOVER SERIES
Adjustable Wall Mount
Full Back Plate Hinge
52034-ADJ

PRODUCT NAME: DOVER - Adjustable Wall Mount Full Back Plate Hinge

PRODUCT CODE: 52034-ADJ

MATERIAL: All-brass construction

KEY FEATURES: Heavy Duty Shower Hinge.
Glass to wall.
Full Back.
Square Edge.
Adjustable

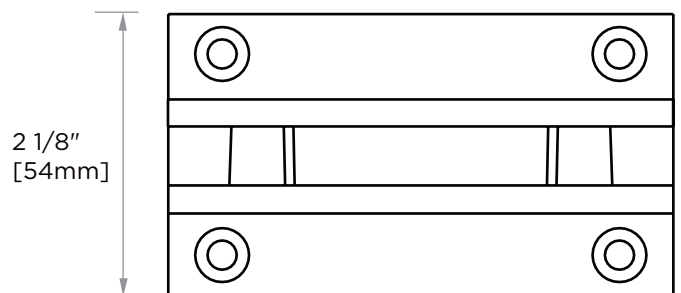
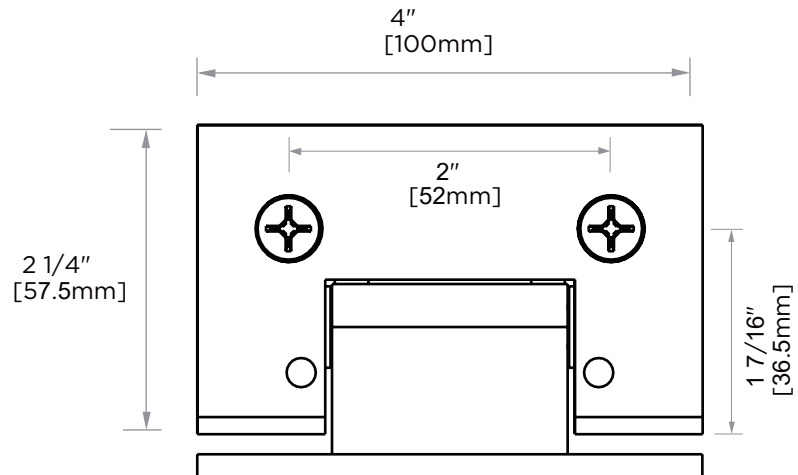
FINISHES:

- Polished Chrome (99)
- Brushed Nickel (81)
- Matte Black (48)
- Brushed Brass (78)

SPECIAL FINISHES AVAILABLE: Please see our website for full list samples

WARRANTY:

Lifetime Limited (Residential Use)
Three Years (Commercial Use)



NOTE: Dimensions and specifications are subject to change without notice.

WALL MOUNT BACK PLATE HEAVY DUTY HINGE

SPECIFICATIONS

For 10mm (3/8") and 12mm (1/2") glass
 -use 2 hinges, having a maximum weight of 110 lbs (50kg), and a width of 36"(914mm).
 -use 3 hinges, having a maximum weight of 140 lbs (63kg), and a width of 36" (914mm).

ASSEMBLY

for 3/8"(10mm) glass use thick rubber on each side
 for 1/2"(12mm) glass use thin rubber on each side

CAUTION

For public safety, we recommend only using tempered or safety glass.
 (But verify with local building codes.)
DO NOT USE POWER TOOLS FOR MOUNTING THESE HINGES

CLEANING

See reverse side for instructions

*Maximum Door Capacities	3/8" (10mm) Glass Weight	Width	1/2" (12mm) Glass Weight	Width
Using 2 Hinges	110 lbs.(50kg)	36" (914mm)	110 lbs.(50kg)	36" (914mm)
Using 3 Hinges	140 lbs.(63kg)	36" (914mm)	140 lbs.(63kg)	36" (914mm)

*NOTE: Do not exceed either maximum weight or width when choosing proper quantity of hinges.

WALL MOUNT BACK PLATE HEAVY DUTY HINGE

Rectangular
Cut-out Option

IMPORTANT:
Project measurements from
the edge of the glass

"Mouse-Ear"
Cut-out Option

NOTE: Dimensions and specifications are subject to change without notice.