

HOTEL COLLECTION

SHOWER SEAT

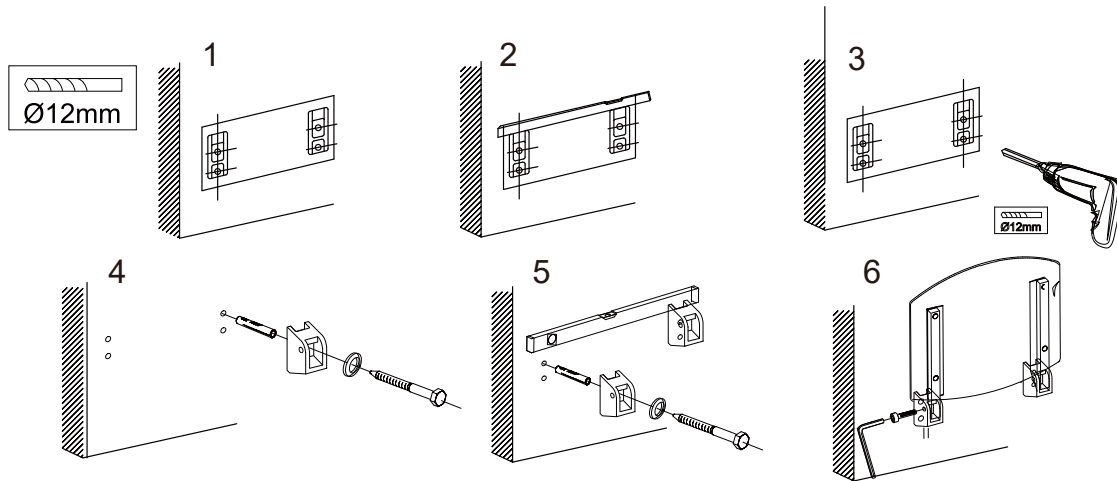
8289200

For cavity walls

It is essential that the shower seat is fixed to the internal wall stud or a solid framing structure.

For solid walls

Use appropriate drill bits and fixing toggles if required.



CLEANING INSTRUCTIONS

Cleaning with a non ammoniated pure soap liquid is recommended to remove any stains or water spots. Rinse all traces of soap thoroughly. Use a soft cloth to clean and dry the product.

DO NOT use any abrasives such as bleach or any scouring cloth/pad to clean the product as it will scratch the surface.

NOTE: This shower seat is to be mounted to secure surface. We shall not accept responsibility for any damage caused by lack of wall strength or improper installation.

Our Shower Seats are designed and tested for ADA compliance and are able to hold over 250lbs of static weight when properly installed by your contractor. Please be aware that as with any ADA compliant item, the strength of the unit will be dependent on install method. Please work with your contractor and installation team to ensure the item is safely installed to meet your requirements.