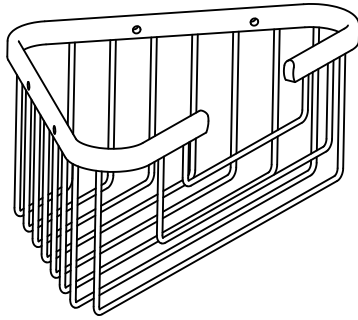


## WIRE BASKETS

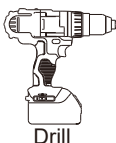
### SOAP BASKET 828006D



#### Tools required for installation



Level



Drill



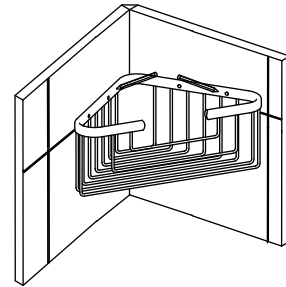
Pencil



Screwdriver

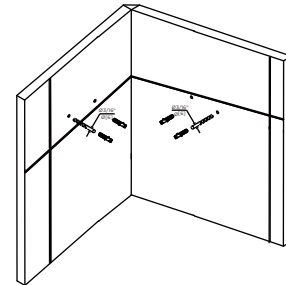


Hammer



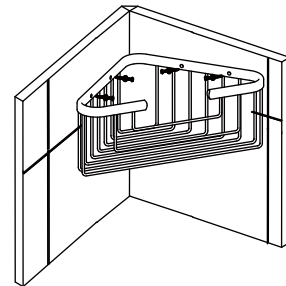
#### Step 1

Position the shower shelf against the wall and mark the holes with pencil.



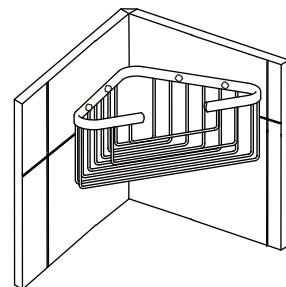
#### Step 2

Predrill 3/16" holes on the wall to fit wall plugs. Insert wall plugs into the wall.



#### Step 3

Install screws into the wall and tighten them, ensure the product is level.



#### Step 4

Install the end caps onto the set screws.