



## CIRCO KNURLED COLLECTION DOUBLE SDH

- 8" 3667808
- 12" 3667812
- 18" 3667818
- 24" 3667824

**PRODUCT NAME:** DOUBLE SDH

**PRODUCT CODE:** 8" 3667808  
 12" 3667812  
 18" 3667818  
 24" 3667824

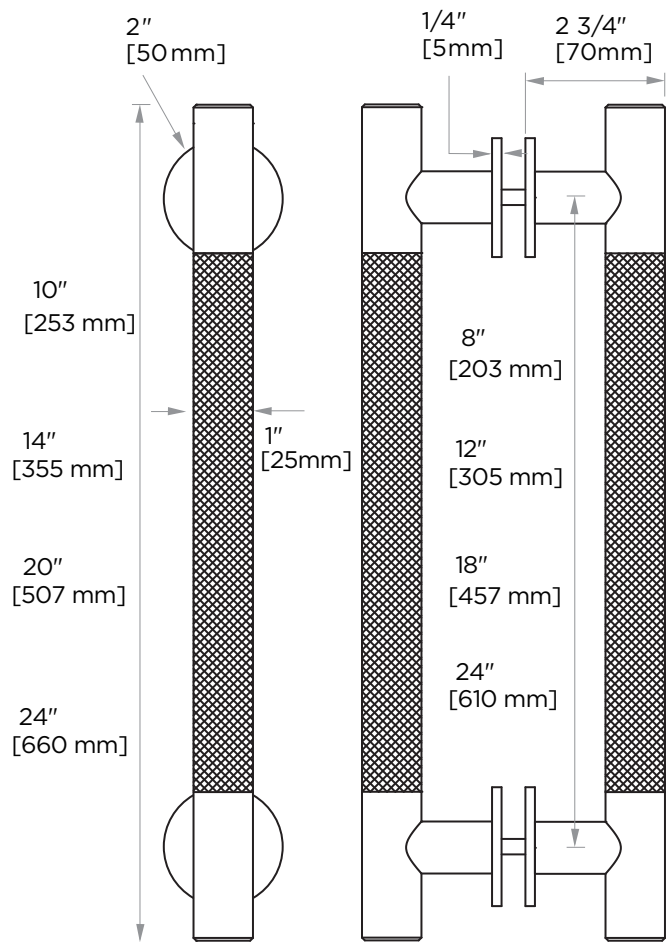
**MATERIAL:** All-brass construction

**KEY FEATURES:** Contemporary design with solid bold rectangular geometry.

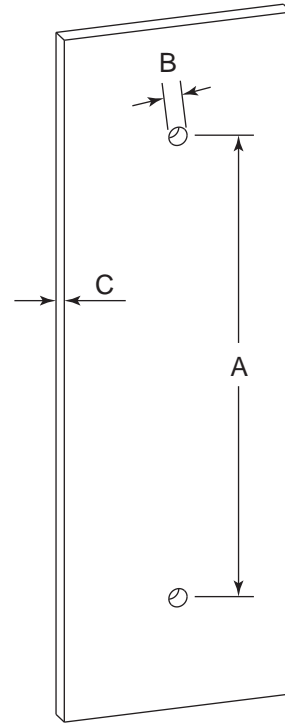
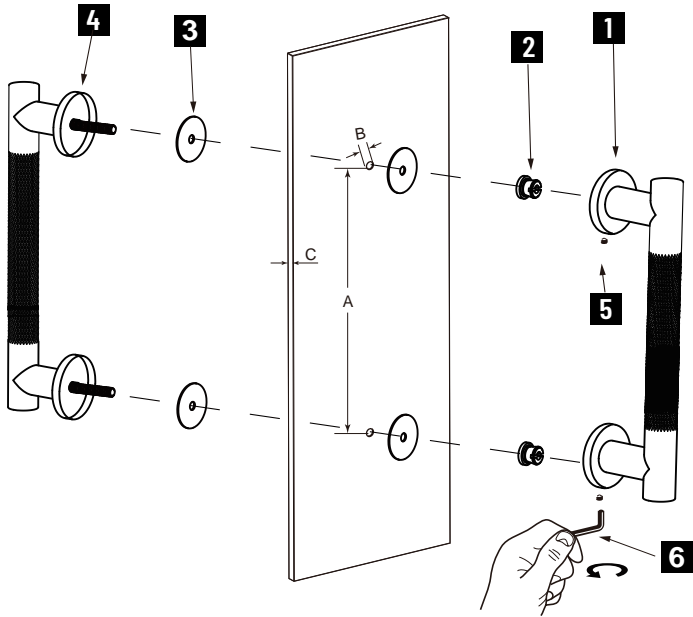
**STOCKED FINISHES:** ● Polished Chrome (99)

**SPECIAL FINISHES AVAILABLE:** Please see our website for full list samples

**WARRANTY:**  
 Lifetime Limited (Residential Use)  
 One Year (Commercial Use)



NOTE: Dimensions and specifications are subject to change without notice.



### HANDLES INFO

Components Included		
①	Handle	X2
②	Set Screw M6	X2
③	Fixing Bracket	X2
④	Rubber Gasket	X4

Mounting Kits Included		
	X1	Allen Key

### GLASS INFO

Glass Hole C-C Distance		
A	8"/203mm	8" Shower Door Handle
	12"/305mm	12" Shower Door Handle
	18"/457mm	18" Shower Door Handle
	24"/610mm	24" Shower Door Handle
	36"/914mm	36" Shower Door Handle
B	3/8" (10mm)	Glass Hole Diameter
C	6-12mm	Glass Thickness

\* Can be used with extension kit for thicker doors

NOTE: Dimensions and specifications are subject to change without notice.