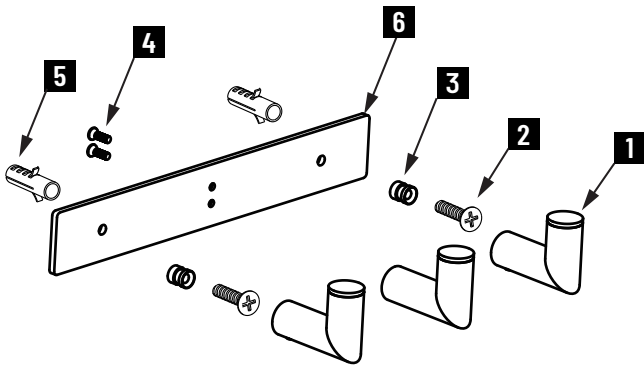


OSLO COLLECTION

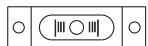
TRIPLE ROBE HOOK

144134-3

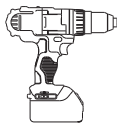


- 1. Robe Hook x 3
- 2. Wall Screw x 2
- 3. Bracket x 2
- 4. Sunk Screw x 2
- 5. Plug x 2
- 6. Backing x 1

Tools required for installation



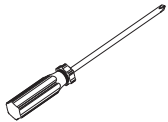
Level



Drill



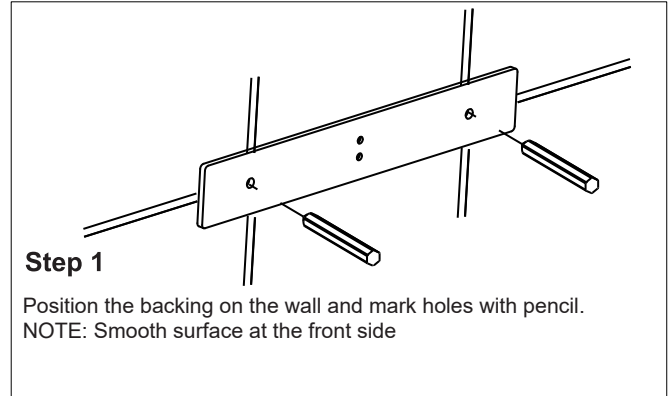
Pencil



Screwdriver

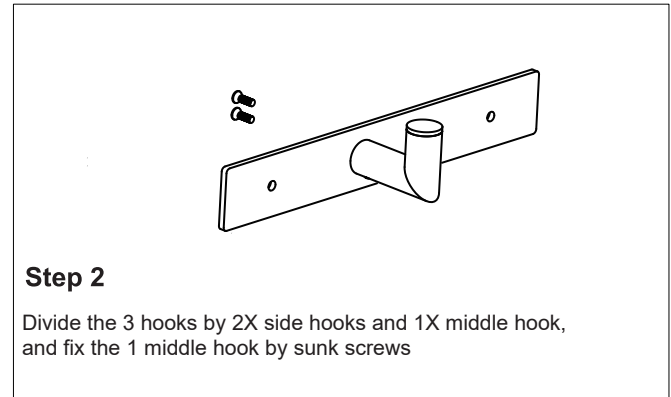


Hammer



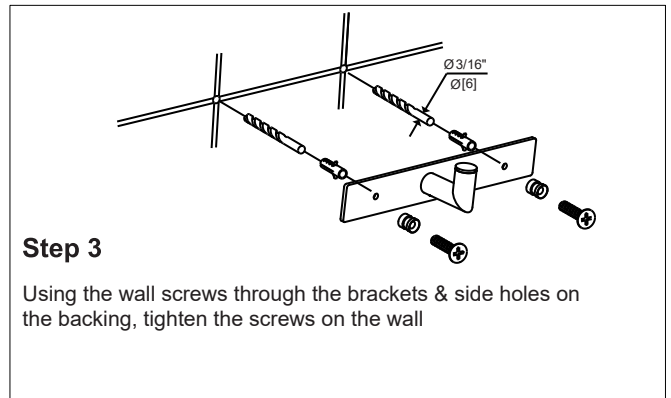
Step 1

Position the backing on the wall and mark holes with pencil.
NOTE: Smooth surface at the front side



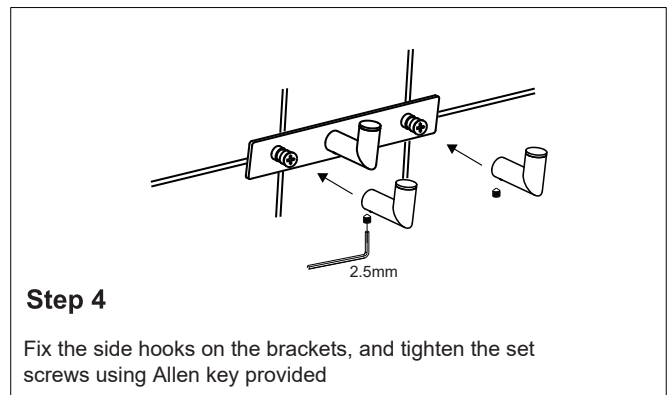
Step 2

Divide the 3 hooks by 2X side hooks and 1X middle hook,
and fix the 1 middle hook by sunk screws



Step 3

Using the wall screws through the brackets & side holes on
the backing, tighten the screws on the wall



Step 4

Fix the side hooks on the brackets, and tighten the set
screws using Allen key provided