



YORK SERIES
Wall Mount Full Back Plate Standard Hinge
51034

PRODUCT NAME: YORK - Wall Mount Full Back Plate Standard Hinge-

PRODUCT CODE: 51034

MATERIAL: All-brass construction

KEY FEATURES: Standard Shower Hinge.
Glass to wall.
Full back.

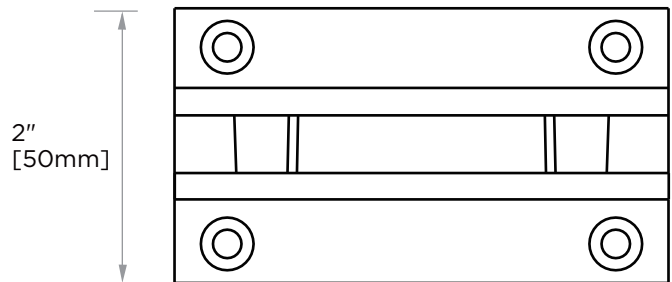
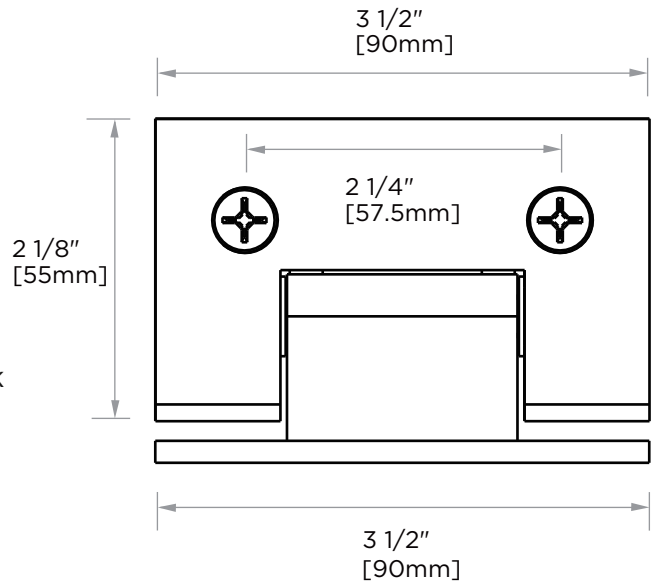
FINISHES:

- Polished Chrome (99)
- Brushed Nickel (81)
- Matte Black (48)
- Brushed Brass (78)

SPECIAL FINISHES AVAILABLE: Please see our website for full list samples

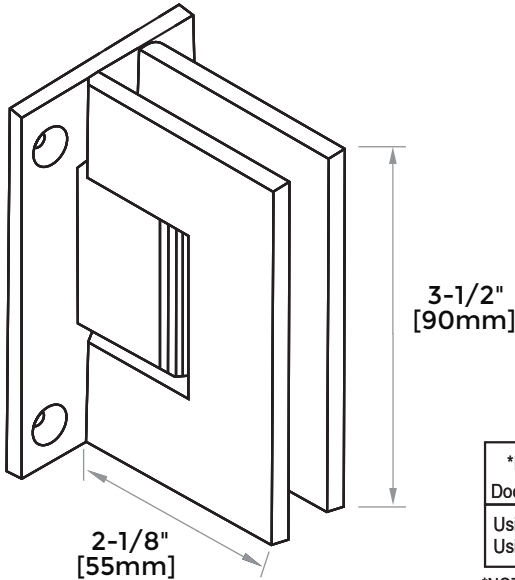
WARRANTY:

Lifetime Limited (Residential Use)
Three Years (Commercial Use)



NOTE: Dimensions and specifications are subject to change without notice.

WALL MOUNT BACK PLATE HINGE



SPECIFICATIONS

For 8mm (5/16") to 12mm (1/2") glass
 -use 2 hinges, having a maximum weight of 80 lbs (36kg), and a width of 28"(711mm).
 -use 3 hinges, having a maximum weight of 120 lbs (54kg), and a width of 32"(813mm).

CAUTION

For public safety, we recommend only using tempered or safety glass.
 (But verify with local building codes.)

DO NOT USE POWER TOOLS FOR MOUNTING THESE HINGES

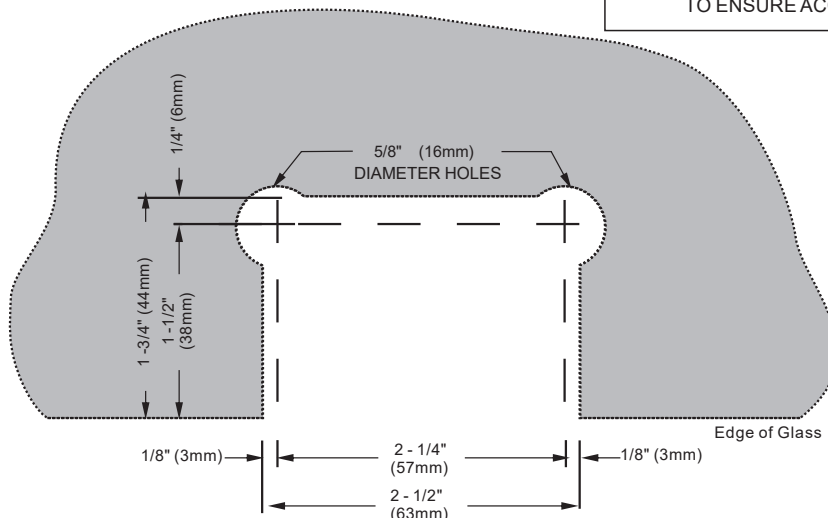
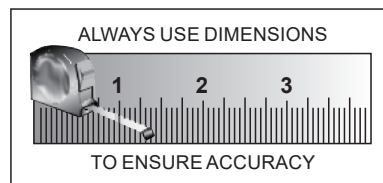
CLEANING

See reverse side for instructions

*Maximum Door Capacities	5/16"(8mm)and3/8"(10mm) Glass		1/2" (12mm) Glass	
	weight	width	weight	width
Using 2 Hinges	80lbs.(36kg)	28"(711mm)	80lbs.(36kg)	28"(711mm)
Using 3 Hinges	120lbs.(54kg)	32"(813mm)	120lbs.(54kg)	32"(813mm)

*NOTE: Do not exceed either maximum weight or width when choosing proper quantity of hinges

WALL MOUNT BACK PLATE HINGE



NOTE: Dimensions and specifications are subject to change without notice.