



## BRADFORD SERIES

### Square Style Hole-in-Glass Fixed Glass Panel U-Clamp

#### 50051

**PRODUCT NAME:** BRADFORD - Square Style Hole-in-Glass Fixed Glass Panel U-Clamp

**PRODUCT CODE:** 50051

**MATERIAL:** All-brass construction

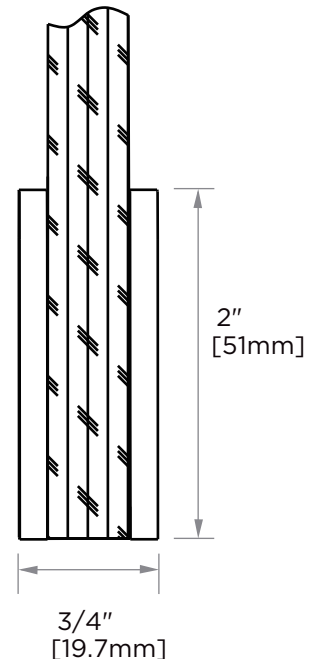
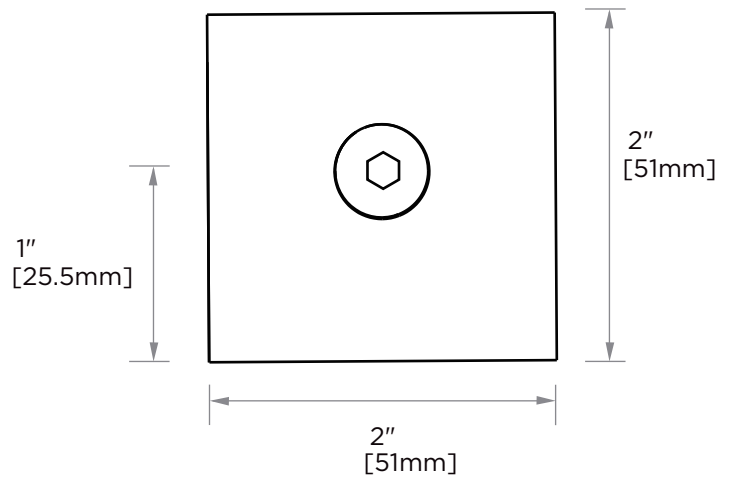
**KEY FEATURES:** Glass Clamp.  
Glass to Wall.  
Square Edge.

**FINISHES:**

- Polished Chrome (99)
- Brushed Nickel (81)
- Matte Black (48)
- Brushed Brass (78)

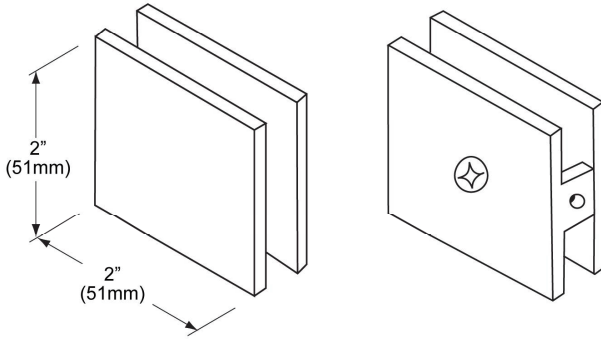
**SPECIAL FINISHES AVAILABLE:** Please see our website for full list samples

**WARRANTY:**  
Lifetime Limited (Residential Use)  
Three Years (Commercial Use)



NOTE: Dimensions and specifications are subject to change without notice.

### HEAVY DUTY GLASS CLAMPS



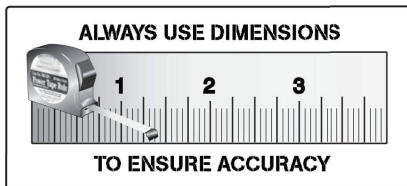
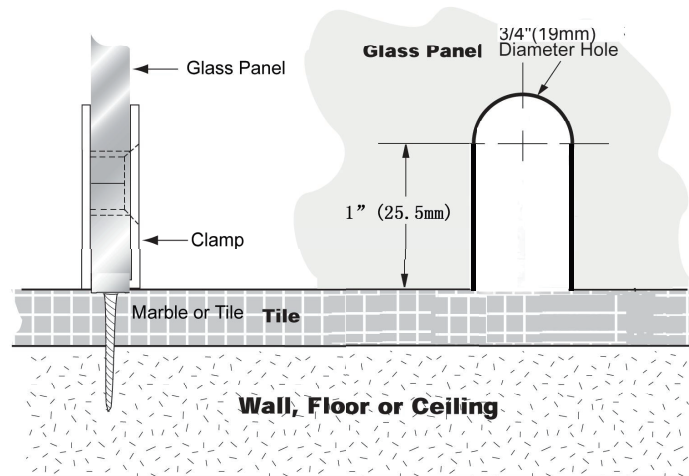
FRONT VIEW

REAR VIEW

### Specifications:

- Material:** Solid brass
- Glass Thickness Range:** 3/8" (10mm) to 1/2" (12mm)
- Hole Size Required:** 3/4" (19mm)
- Includes:** Mounting screws and gaskets

### TYPICAL INSTALLATION



NOTE: Dimensions and specifications are subject to change without notice.