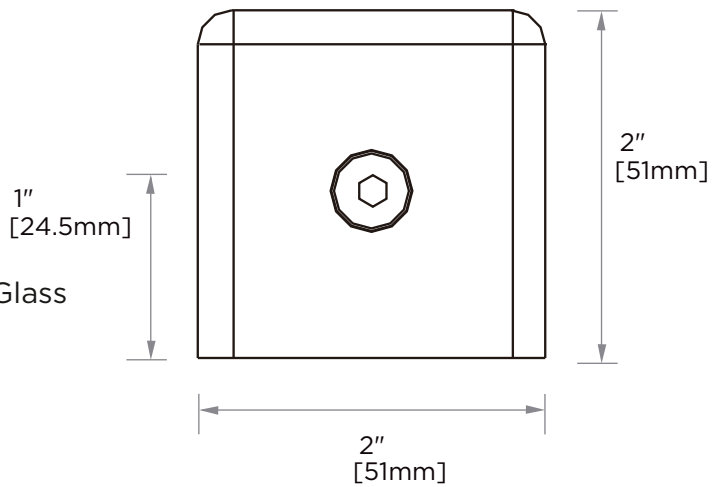




BRADFORD SERIES
Beveled Hole-in-Glass
Style Wall Mount Heavy
-Duty Glass Clamp
50052



PRODUCT NAME: BRADFORD - Beveled Hole-in-Glass Style Wall Mount Heavy-Duty Glass Clamp

PRODUCT CODE: 50052

MATERIAL: All-brass construction

KEY FEATURES: Glass Clamp.
Glass to Wall.
Beveled.

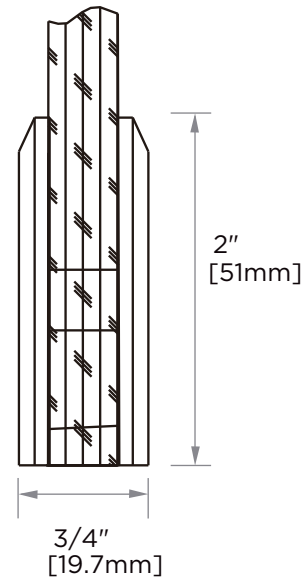
FINISHES:

- Polished Chrome (99)
- Brushed Nickel (81)
- Matte Black (48)
- Brushed Brass (78)

SPECIAL FINISHES AVAILABLE: Please see our website for full list samples

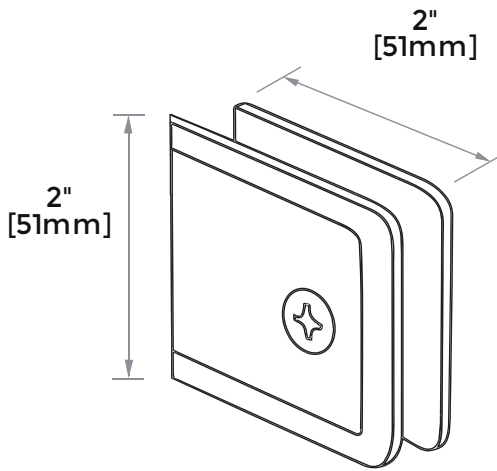
WARRANTY:

Lifetime Limited (Residential Use)
Three Years (Commercial Use)



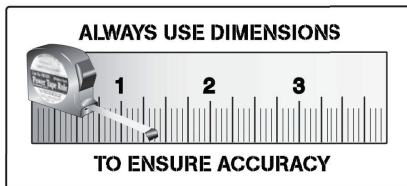
NOTE: Dimensions and specifications are subject to change without notice.

HEAVY DUTY GLASS CLAMPS

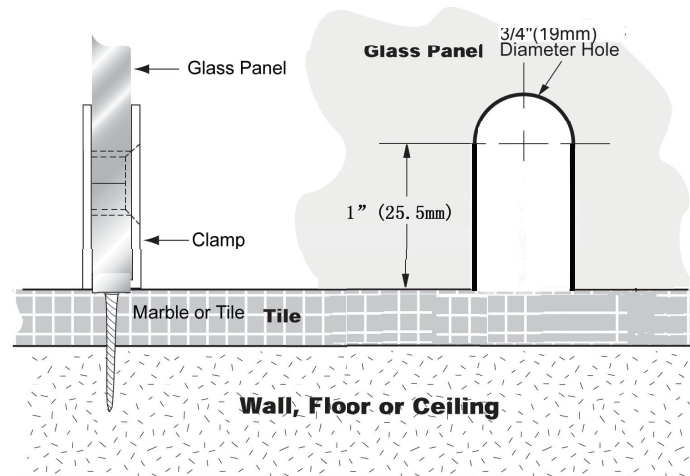


Specifications:

- Material:** Solid brass
- Glass Thickness Range:** 3/8" (10mm) to 1/2" (12mm)
- Hole Size Required:** 3/4" (19mm)
- Includes:** Mounting screws and gaskets



TYPICAL INSTALLATION



NOTE: Dimensions and specifications are subject to change without notice.