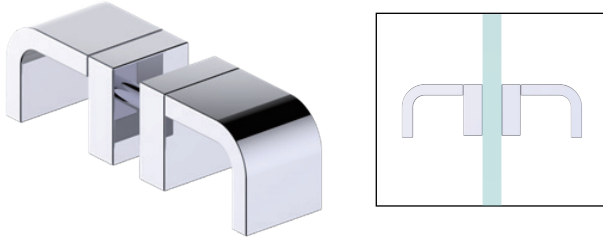


COLOGNE COLLECTION
DOUBLE SDH KNOB
2557502

Mounting
Options



PRODUCT NAME: DOUBLE SDH KNOB

PRODUCT CODE: 2557502

MATERIAL: All-brass construction

KEY FEATURES: Contemporary design with strong bold silhouette softened by the rounded corners and curved lines.

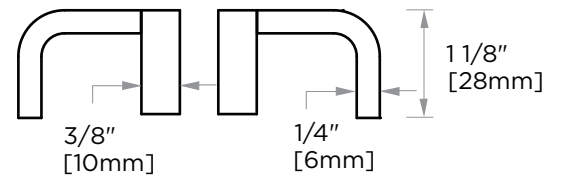
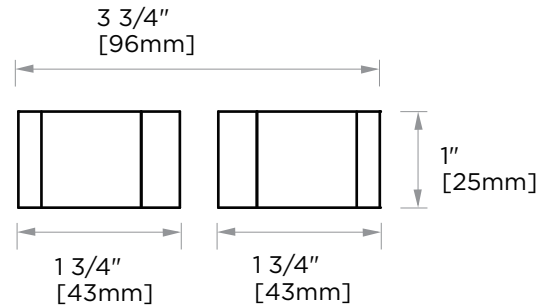
STOCKED FINISHES:

- Polished Chrome (99)
- Brushed Nickel (81)
- Matte Black (48)

SPECIAL FINISHES AVAILABLE: Please see our website for the full list samples

WARRANTY:

Lifetime Limited (Residential Use)
One Year (Commercial Use)



NOTE: Dimensions and specifications are subject to change without notice.