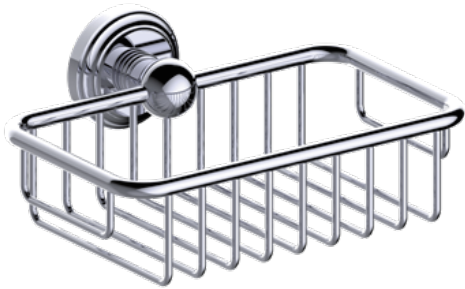


## FLORENCE COLLECTION

Soap Basket

Item # 322600



### FEATURES

- Modern styling
- Durable finishes
- Concealed installation

### WARRANTY

- Lifetime limited (Residential use)
- One Year (Commercial use)

### FINISHES STOCKED IN

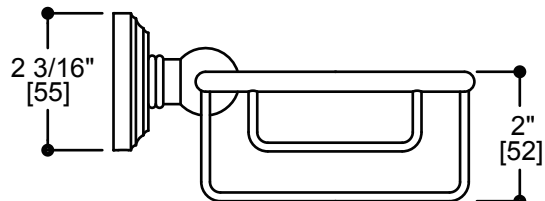
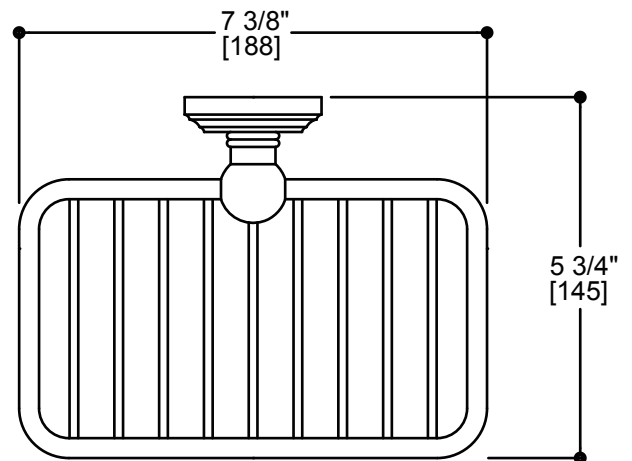
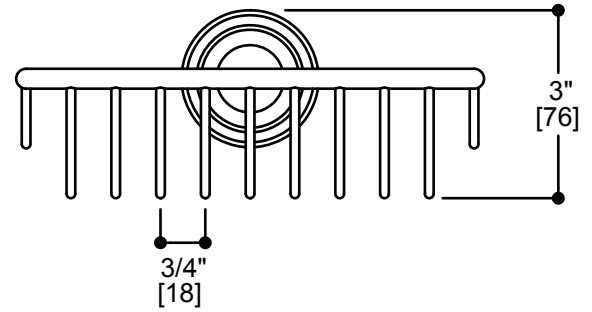
- Polished Chrome (99) Polished Nickel (68)
- Brushed Nickel (81)

### SPECIAL FINISHES AVAILABLE

- |                     |                        |
|---------------------|------------------------|
| Antique Nickel (91) | Polished Gold (12)     |
| Brushed Gold (22)   | Brushed Brass (78)     |
| Black Nickel (40)   | Antique Copper (55)    |
| Polished Brass (72) | Antique Brass (69)     |
| Brushed Chrome (85) | Oil Rubbed Bronze (21) |
| Brushed Bronze (25) | Gunmetal (43)          |
| Glossy White (62)   | Unlacquered brass (75) |
| Matte White (26)    | New World Bronze (80)  |
| Matte Black (48)    |                        |

### MOUNTING HARDWARE

- Mounting kit included



Note: Dimensions and specifications are subject to change without notice.