

COLOGNE COLLECTION

Towel Ring

Item # 255461L



FEATURES

- Modern styling
- Durable finishes
- Concealed installation

WARRANTY

- Lifetime limited (Residential use)
- One Year (Commercial use)

FINISHES STOCKED IN

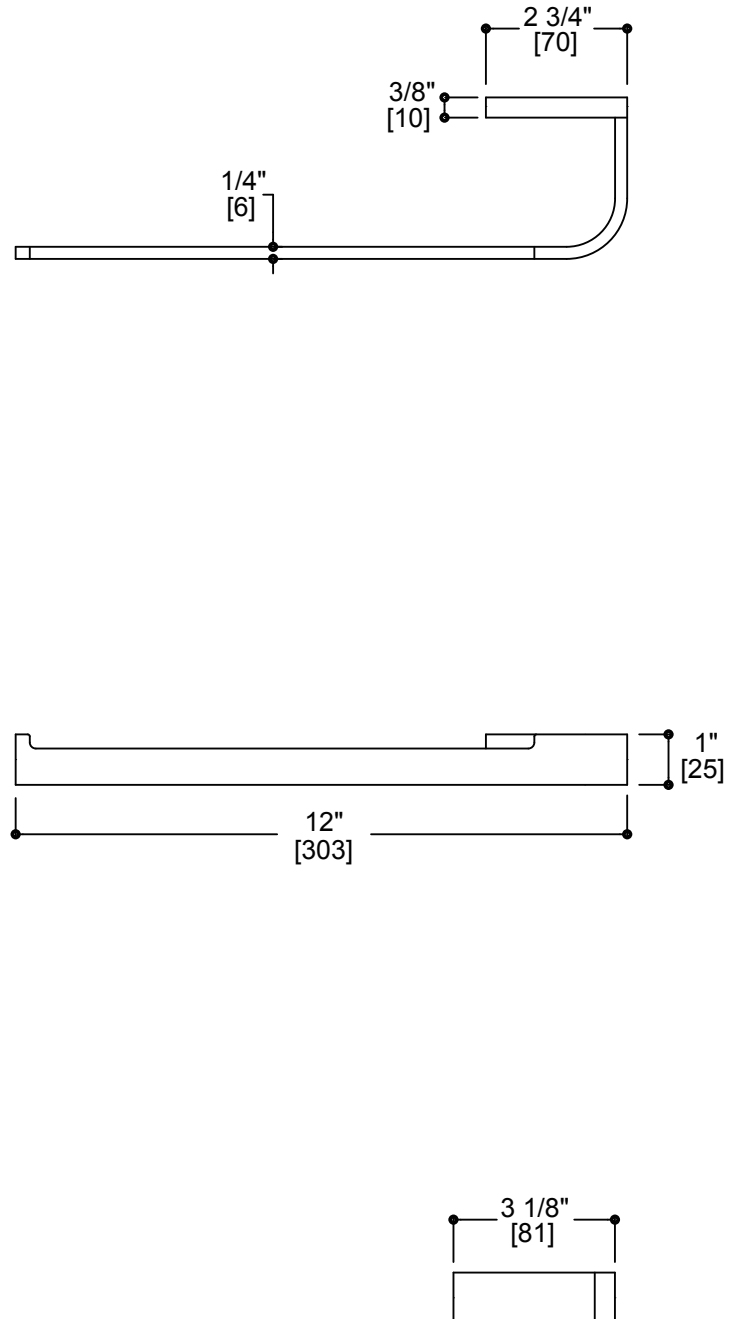
- Polished Chrome (99)
- Brushed Nickel (81)
- Matte Black (48)

SPECIAL FINISHES AVAILABLE

- Antique Nickel (91)
- Polished Gold (12)
- Brushed Gold (22)
- Brushed Brass (78)
- Black Nickel (40)
- Antique Copper (55)
- Polished Brass (72)
- Antique Brass (69)
- Brushed Chrome (85)
- Oil Rubbed Bronze (21)
- Brushed Bronze (25)
- Titanium (33)
- Glossy White (62)
- Unlacquered brass (75)
- Matte White (26)
- New World Bronze (80)
- Brushed Copper (65)
- Antique Black (45)
- Polished Nickel (68)
- Champagne Bronze (30)

MOUNTING HARDWARE

- Mounting kit included



Note: Dimensions and specifications are subject to change without notice.