

BERLIN COLLECTION

Double Towel Shelf

Item # 232442



FEATURES

- Modern styling
- Durable finishes
- Concealed installation

WARRANTY

- Lifetime limited (Residential use)
- One Year (Commercial use)

FINISHES STOCKED IN

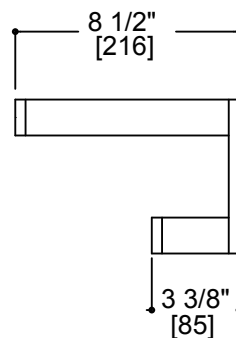
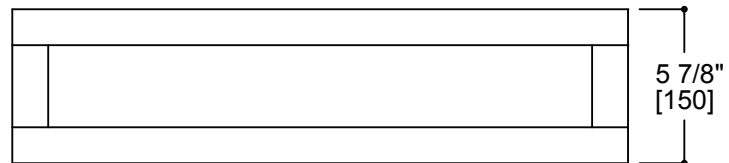
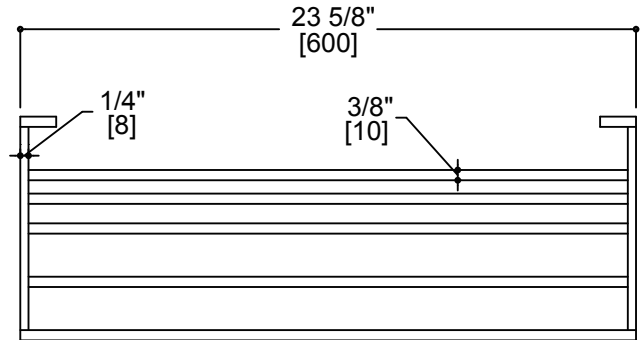
- | | |
|----------------------|---------------------|
| Polished Chrome (99) | Brushed Nickel (81) |
| Polished Nickel (68) | Matte Black (48) |

SPECIAL FINISHES AVAILABLE

- | | |
|-----------------------|------------------------|
| Antique Nickel (91) | Polished Gold (12) |
| Brushed Gold (22) | Brushed Brass (78) |
| Black Nickel (40) | Antique Copper (55) |
| Polished Brass (72) | Antique Brass (69) |
| Brushed Chrome (85) | Oil Rubbed Bronze (21) |
| Brushed Bronze (25) | Titanium(33) |
| Glossy White (62) | Unlacquered brass (75) |
| Matte White (26) | New World Bronze (80) |
| Brushed Copper (65) | Antique Black (45) |
| Champagne Bronze (30) | |

MOUNTING HARDWARE

- Mounting kit included



Note: Dimensions and specifications are subject to change without notice.