



## BRADFORD SERIES

### Fixed Panel Beveled Glass Clamp With Large Leg

#### 50032

**PRODUCT NAME:** BRADFORD - Fixed Panel Beveled Glass Clamp With Large Leg

**PRODUCT CODE:** 50032

**MATERIAL:** All-brass construction

**KEY FEATURES:** Glass Clamp.  
Glass to Wall.  
Beveled.

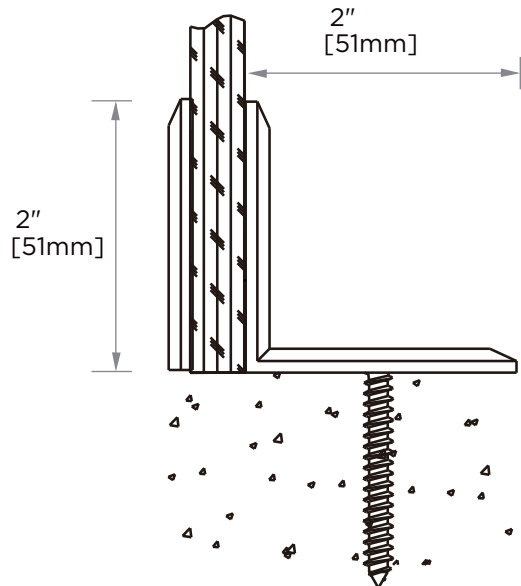
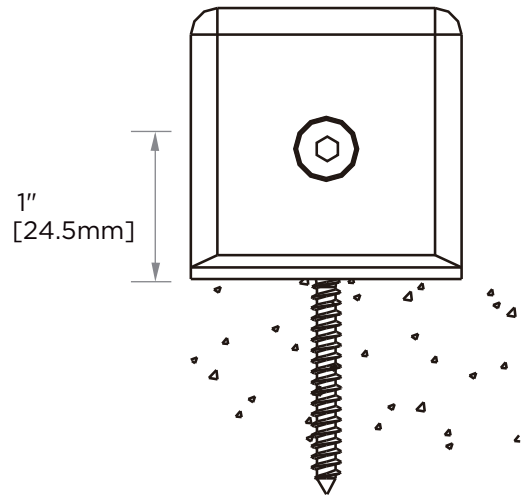
**FINISHES:**

- Polished Chrome (99)
- Brushed Nickel (81)
- Matte Black (48)
- Brushed Brass (78)

**SPECIAL FINISHES AVAILABLE:** Please see our website for full list samples

**WARRANTY:**

Lifetime Limited (Residential Use)  
Three Years (Commercial Use)



NOTE: Dimensions and specifications are subject to change without notice.

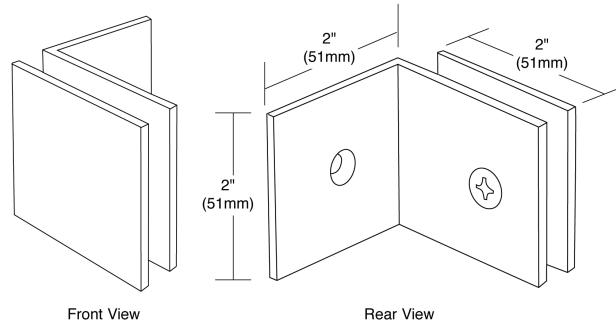
### Specifications:

**Material:** Solid brass  
**Glass Thickness Range:** 3/8" (10mm) to 1/2" (12mm)  
**Hole Size Required:** 5/8" (16mm) or 3/4" (19mm)  
**Includes:** Mounting screw and gaskets

Template Shown on Next Page

## GLASS CLAMPS

Square with Large Leg



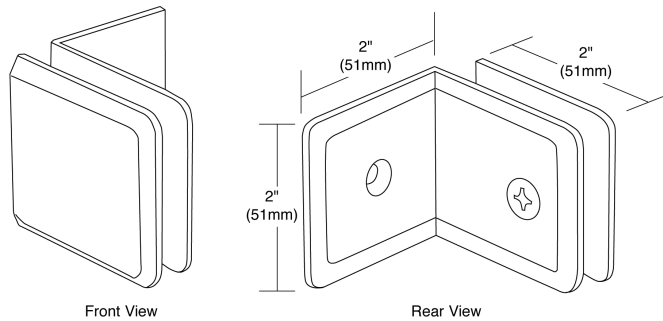
### Specifications:

**Material:** Solid brass  
**Glass Thickness Range:** 3/8" (10mm) to 1/2" (12mm)  
**Hole Size Required:** 5/8" (16mm) or 3/4" (19mm)  
**Includes:** Mounting screw and gaskets

Template Shown on Next Page

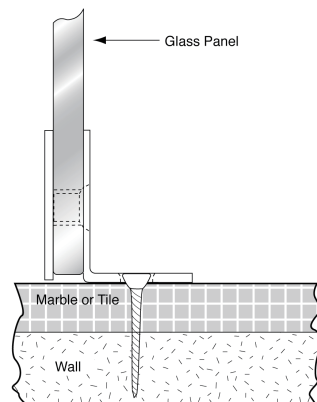
## GLASS CLAMPS

Beveled with Large Leg



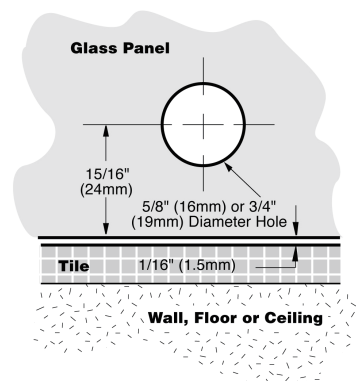
4Y-47

### TYPICAL INSTALLATION



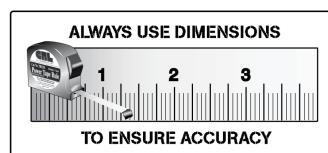
### TEMPLATE

**Important:** Project measurements from the edge of the glass.



## GLASS CLAMPS

THE TEMPLATE ON THIS PAGE APPLIES TO THE FOLLOWING CLAMPS:



NOTE: Dimensions and specifications are subject to change without notice.