



**ASHFORD SERIES**  
**Adjustable Wall Mount**  
**'H' Back Plate Hinge**  
54034-ADJ

**PRODUCT NAME:** ASHFORD - Adjustable Wall Mount 'H' Back Plate Hinge

**PRODUCT CODE:** 54034-ADJ

**MATERIAL:** All-brass construction

**KEY FEATURES:** Standard Shower Hinge.  
Glass to wall.  
Full back.  
Beveled.  
Adjustable

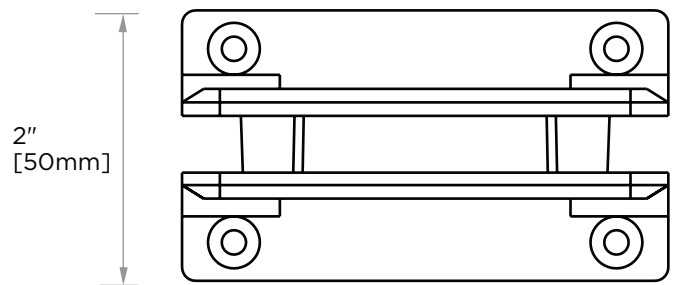
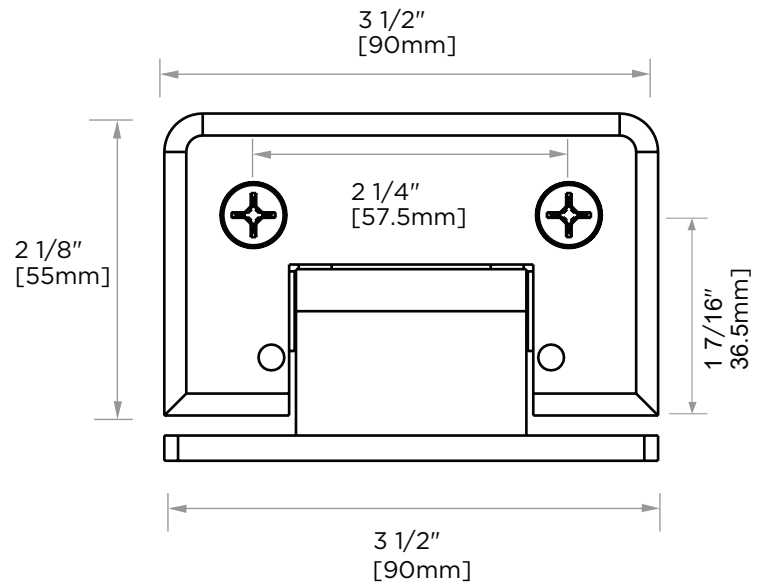
**FINISHES:**

- Polished Chrome (99)
- Brushed Nickel (81)
- Matte Black (48)
- Brushed Brass (78)

**SPECIAL FINISHES AVAILABLE:** Please see our website for full list samples

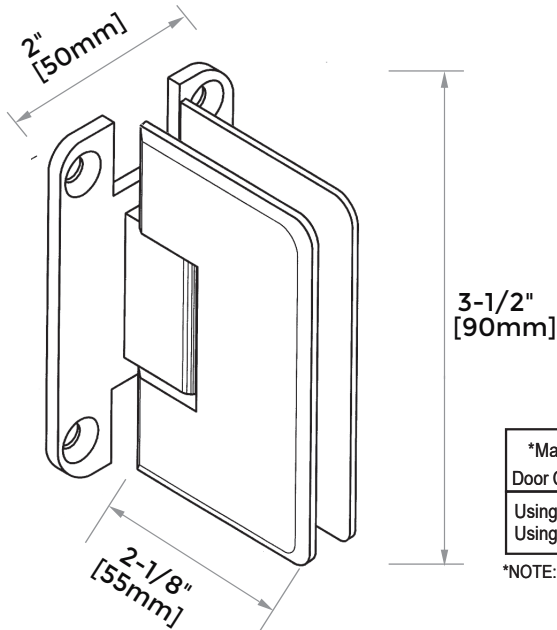
**WARRANTY:**

Lifetime Limited (Residential Use)  
Three Years (Commercial Use)



NOTE: Dimensions and specifications are subject to change without notice.

## WALL MOUNT BACK PLATE HINGE



### SPECIFICATIONS

For 8mm (5/16") to 12mm (1/2") glass  
 -use 2 hinges, having a maximum weight of 80 lbs (36kg), and a width of 28"(711mm).  
 -use 3 hinges, having a maximum weight of 120 lbs (54kg), and a width of 32" (813mm).

### CAUTION

For public safety, we recommend only using tempered or safety glass.  
 (But verify with local building codes.)

DO NOT USE POWER TOOLS FOR MOUNTING THESE HINGES

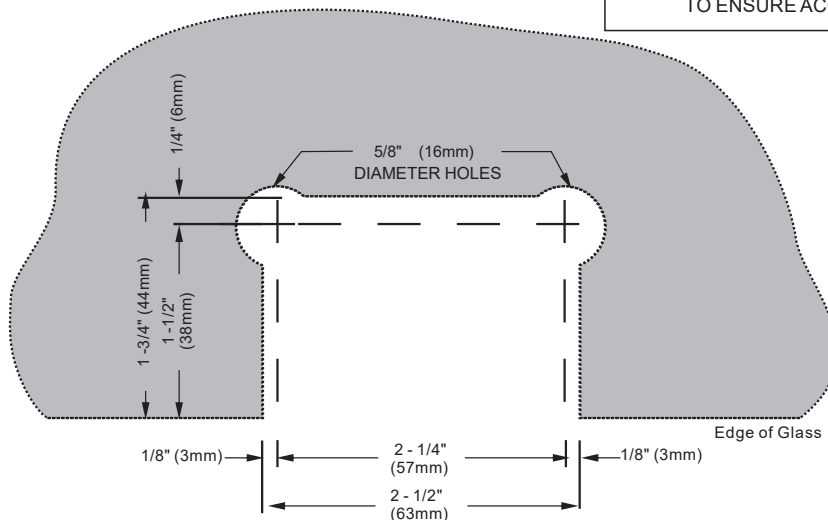
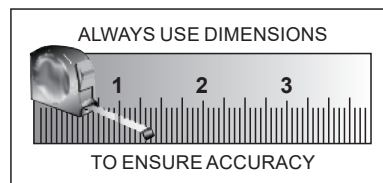
### CLEANING

See reverse side for instructions

*Maximum Door Capacities	5/16"(8mm)and3/8"(10mm) Glass weight width	1/2" (12mm) Glass weight width
Using 2 Hinges	80lbs.(36kg) 28"(711mm)	80lbs.(36kg) 28"(711mm)
Using 3 Hinges	120lbs.(54kg) 32"(813mm)	120lbs.(54kg) 32"(813mm)

\*NOTE: Do not exceed either maximum weight or width when choosing proper quantity of hinges

## WALL MOUNT BACK PLATE HINGE



NOTE: Dimensions and specifications are subject to change without notice.