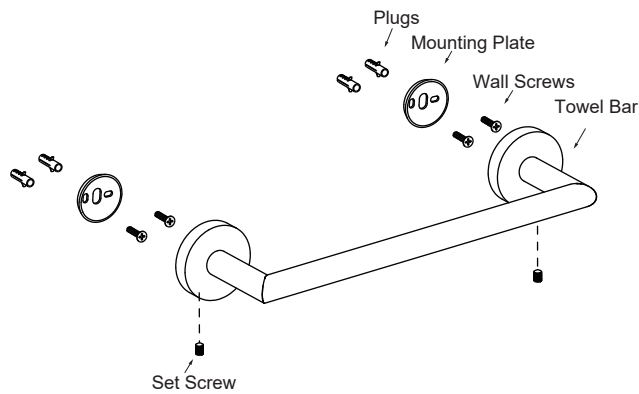


373 COLLECTION

TOWEL BAR

- 9" 353109
- 12" 353120
- 18" 353180
- 24" 353240
- 30" 353300



Tools required for installation

Level	Pencil
Screwdriver	Drill
	Hammer

A

9" Towel Bar	207mm
12" Towel Bar	282mm
18" Towel Bar	434mm
24" Towel Bar	587mm
30" Towel Bar	739mm

Step 1

Loosen the set screw on the accessory and remove the backing plates. Position the accessory against the wall and mark outline with pencil.

Step 2

Position the backing plates flat side down on the wall and mark holes with pencil.

Step 3

Predrill 3/16" holes on the wall to fit wall plugs. Insert wall plugs into the wall. Position backing plates flat side down over the plugs and install screws.

Step 4

Slide the accessory onto the backing plates and tighten the set screws using Allen key provided.